

RE1000

1 channel D1 Network Video Encoder (H.264)

- 1 channel H.264 D1 Network Video Encoder
- Built-in Video Content Analysis
- 1 channel Audio Input, 1 channel Audio Output
- H.264 25/30 FPS@D1
- Video Compression: H.264, MPEG-4, MJPEG (Dual Stream)
- Deinterlacing on DSP
- Audio Compression: G.711
- RS-232C, RS-485 Support
- Burnt-in Text, Video Motion Detection Support
- USB 2.0 Support (External storage, Wireless LAN)
- Providing only SDK, not Complete Application Software



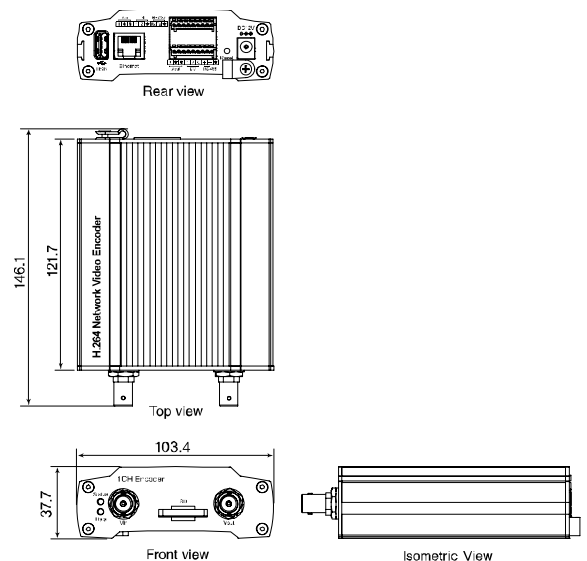
Intelligent Video Analytics included

Specifications

Video	
Input	1 channel
Output	1 Loop Out
Compression Format	H.264, MPEG-4, MJPEG
Number of Streams	Dual Stream, Configurable
Resolution	D1, CIF, QCIF
Compression FPS	25/30 fps@D1
Deinterlacing	Support (DSP)
Motion Detection	Support (DSP)
Burnt-in Text (Digital)	Support (DSP)
Audio	
Input	1 channel
Output	1 channel
Compression Format	G.711
Function	
Digital Input	2 channel
Digital Output	2 channel
RS-485/422	Support (RS-485 Only)
RS-232C	Support
Network	10 / 100 Base-T
Protocol	TCP/IP, UDP/IP, HTTP, RTSP, RTCP, RTP/UDP, RTP/TCP, SNTP, mDNS, UPnP, SMTP, SOCK, IGMP, DHCP, DDNS, SSL v2/v3, IEEE 802.1X, SSH
USB 2.0	Support
SD Memory	Support (Optional)
Electrical	
Power Source	12V DC (DC Jack)
Power over Ethernet	Support (IEEE 802.3af)
Power Consumption (Approx)	240 mA @ +12V
Environmental	
Operating Temperature	0 °C ~ 50 °C (32 °F ~ 122 °F)
Operating Humidity	Up to 85% RH (Non-condensing)
Mechanical	
Dimension	103(W) x 38(H) x 141(D) mm
Weight (Approx)	385 g

Video Content Analysis (Included as Standard)	
High Performance	Advanced Tracking Algorithm, Low False Alarm Rate
Easy to Use	Intuitive Web Browser Interface
Detection Zones	Multi-segment Polygons and Lines
On-screen Display	Real-time Display of Tracking Data and Events
Camera Shake Cancellation	Improve the VCA performance with cameras that are prone to shake
Tamper Detection	Detect camera tampering
Video Content Analysis (Option)	
Detection Behavior	Direction, Stopping, Loitering, Entering, Exiting, Appear, and Disappear Filters
3D Behavior	Perspective Corrected Size and Speed Filters
Statistics	Counting Functions and Other Statistics
Meta Data	Binary XML Format
Image Stabilization (Option)	
Electronic Stabilization	Removes Camera Sway

Dimension



(unit: mm)