

# RC4100-2212-36

## H.264 Indoor (RC4100) / Outdoor (RC4100-O) PTZ Dome IP Camera

- Built-in Video Content Analytics
- Up to 432X Zoom (Optical 36X, Digital 12X) Selectable
- H.264 25/30 FPS@D1, 2-way Audio
- Video Compression: H.264, MPEG-4, MJPEG (Dual Stream)
- Day & Night (IR Cut Filter), DSS
- De-interlacing on DSP
- Burnt-in Text, Video Motion Detection Support
- Providing only SDK, not Complete Application Software
- Stealth Spin® (World Most Silent Speed Dome)
- 0.024° Dome System Accuracy with 1/8 micro Step
- Vom Zoomfaktor abhängige Schwenk/Neige Geschwindigkeit
- Controlling Pan/Tilt Speed While Zooming
- Reliable Materials
- Power Misconnection Protection Function on RS-485 Terminal
- RC4100-O is an Outdoor PTZ Camera, Adding an Outdoor Housing to Indoor PTZ RC4100



### Specifications

Camera Module (RC4100-2212-36)		
<b>Image Sensor</b>	1/4" Sony Exview HAD CCD	
<b>Number of effective Pixel</b>	NTSC: 768(H) x 494(V) 380 K PAL: 752(H) x 582(V) 440 K	
<b>Horizontal resolution</b>	530 TVL	
<b>Lens</b>	<b>Optical</b>	36x Optical Zoom (F=1.6~F4.5, f=3.4 to 122.4 mm)
	<b>Digital</b>	12x (432x with optical)
<b>Day &amp; Night (ICR)</b>	Auto / Day / Night	
<b>Min. Shooting Distance</b>	0.32m (Wide) / 1.5m (Tele)	
<b>Digital Slow Shutter</b>	ON/OFF	
<b>Minimum Illumination</b>	0.1 Lux (50 IRE): (Normal mode), 0.01 Lux (ICR On): (Night mode)	
<b>Luminance S/N ratio</b>	More than 50dB	
<b>BLC</b>	ON / OFF	
<b>WDR</b>	Support	
<b>Flicker less (NTSC)</b>	ON / OFF	
PAN / TILT		
<b>Pan Rotation Angle</b>	360° Quick Endless Rotation	
<b>Pan Speed</b>	<b>Manual</b>	0.5° ~ 100 or 200° / sec. (64 steps)
	<b>Preset</b>	Max 300° / sec, Min 10° / sec
<b>Tilt Rotation Angle</b>	-2° ~ 90°	
<b>Tilt Speed</b>	<b>Manual</b>	0.5 ~ 45° / sec (64 steps)
	<b>Preset</b>	Max 250° / sec, Min 200° / sec
<b>System Accuracy</b>	0.024°	
Dome		
<b>Presets</b>	165 positions with 16 character labels available for each position with different speed steps	
<b>Guard Tour</b>	Max 8 Groups (Each one consisting of up to 60 steps)	
<b>Auto Pan</b>	Programmable Auto Scan	
<b>Pattern</b>	8 Programmable Patterns (Total 480 seconds)	
<b>Sector</b>	9 Selectable Sectors with 16 characters	
<b>Privacy Zone</b>	8	
<b>Auto Flip</b>	ON / OFF	
<b>OSD menu</b>	Yes	
Video		
<b>Compression Format</b>	H.264, MPEG-4, MJPEG	
<b>Number of Streams</b>	Dual Stream, Configurable	
<b>Resolution</b>	D1, CIF, QCIF	
<b>Compression FPS</b>	25/30 fps@D1	
<b>Deinterlacing</b>	Support (DSP)	
<b>Motion Detection</b>	Support (DSP)	
<b>Burnt-in Text (Digital)</b>	Support (DSP)	
<b>Output</b>	1 Loop Out (BNC Connector)	
Audio		
<b>Input</b>	1 channel	
<b>Output</b>	1 channel	
<b>Compression Format</b>	G.711	

Function		
<b>Digital Input</b>	4 channel	
<b>Digital Output</b>	2 channel	
<b>RS-485</b>	Support	
<b>RS-232C</b>	Not Available	
<b>Network</b>	10 / 100 Base-T	
<b>Protocol</b>	TCP/IP, UDP/IP, HTTP, RTSP, RTCP, RTP/UDP, RTP/TCP, SNMP, mDNS, UPnP, SMTP, SOCK, IGMP, DHCP, DDNS, SSL v2/v3, IEEE 802.1X, SSH	
<b>USB 2.0</b>	Not Available	
<b>SD Memory Card Slot</b>	Support (microSD type)	
Electrical		
<b>Power Source</b>	18~32 VAC 60/50Hz 850mA (indoor)	
	18~32 VAC 60/50Hz 1.5A (outdoor)	
<b>Power over Ethernet</b>	Not Available	
<b>Power Consumption (Approx)</b>	18W Max (indoor) 36W Max (outdoor)	
Environmental		
<b>Fan / Heater</b>	Fan and heater (outdoor)	
<b>Operating Temperature</b>	-10 °C ~ 50 °C (14 °F ~ 122 °F) (indoor) -40°C ~ 50°C (-40 °F ~ 122 °F) (outdoor)	
<b>Certification</b>	FCC / CE, IP66 (outdoor)	
<b>Operating Humidity</b>	Up to 85% RH (Non-condensing)	
Mechanical		
<b>Material</b>	<b>Indoor</b>	ABS
	<b>Outdoor</b>	Aluminum, Anti-vandal bubble (Poly Carbonate)
<b>Color</b>	Cool gray	
<b>Dimension</b>	Housing: 147(Φ) x 190(H) mm / 5.8"(Φ) x 7.5"(H) (indoor) Housing: 190(Φ) x 307(H) mm (outdoor)	
<b>Weight (Approx)</b>	1.9kg (5lbs) (indoor) 5.7 kg (outdoor)	
Video Content Analysis (Included as Standard)		
<b>High Performance</b>	Advanced Tracking Algorithm, Low False Alarm Rate	
<b>Easy to Use</b>	Intuitive Web Browser Interface	
<b>Detection Zones</b>	Multi-segment Polygons and Lines	
<b>On-screen Display</b>	Real-time Display of Tracking Data and Events	
Video Content Analysis (Option)		
<b>Detection Behavior</b>	Direction, Stopping, Loitering, Entering, Exiting, Appear, and Disappear Filters	
<b>3D Behavior</b>	Perspective Corrected Size and Speed Filters	
<b>Statistics</b>	Counting Functions and Other Statistics	
<b>Meta Data</b>	Binary XML Format	
Image Stabilization (Option)		
<b>Electronic Stabilization</b>	Removes Camera Sway	

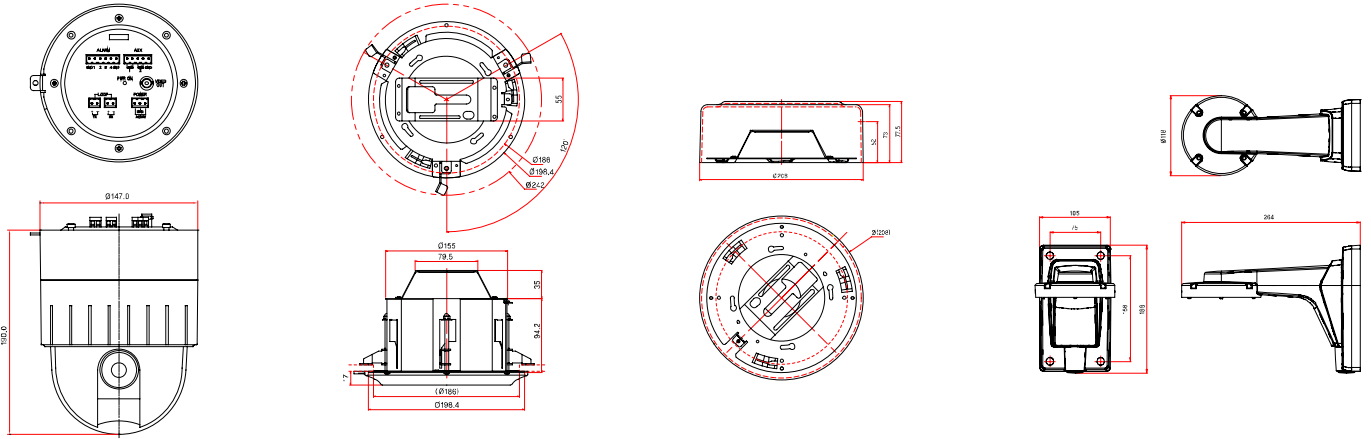
# RC4100-2212-36

## Ordering information

Option Model	Camera Module	Day & night	WDR	PoE	USB	SD	VCApresence
<b>RC4100-2212-36</b>	Sony 36X Optical Zoom	ICR	O	X	X	O	O
<b>RC4100-O-2212-36</b>	Sony 36X Optical Zoom	ICR	O	X	X	O	O

\* RC4100-O = RC4100 + ODH-103N

\* 18X, 26X, 27X, 33X, 37X zoom models are to be released

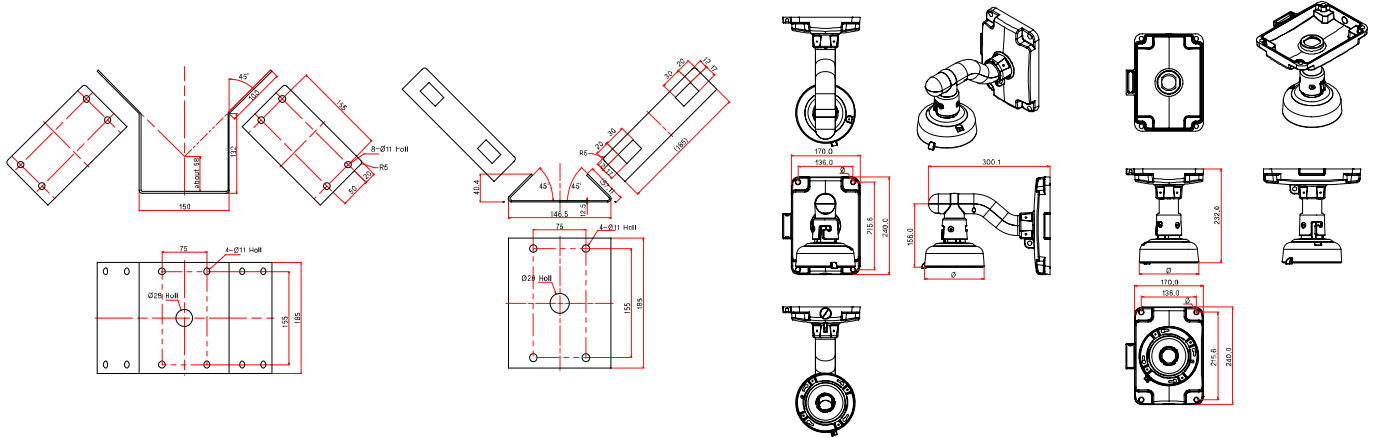


**RC4100**

**Flush Mount Bracket (FMB-101)**

**Hard Ceiling Mount Bracket (HCMB-108)**

**Wall Mount Bracket (WMB-104N)**

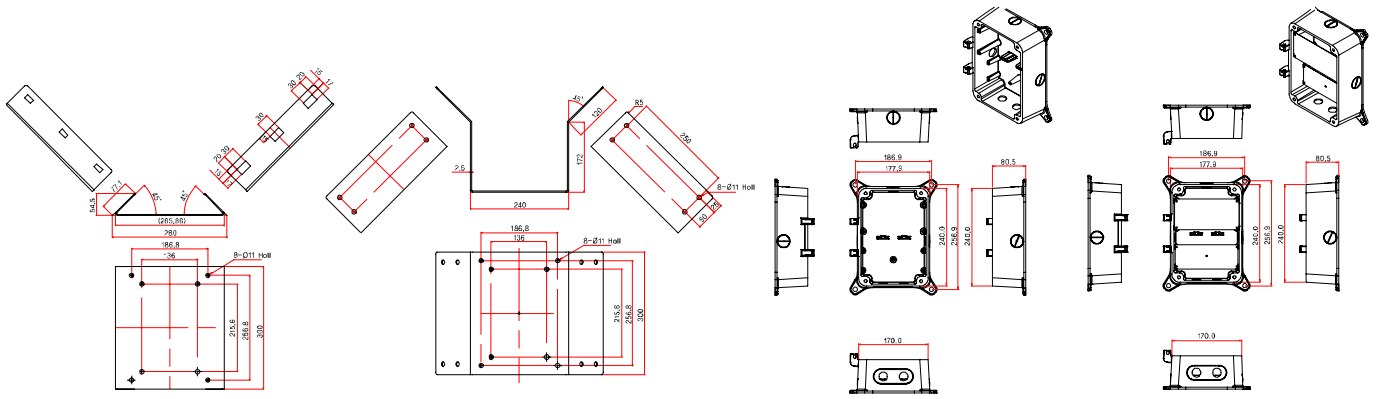


**Corner Mount Adaptor (CMA-107)**

**Pole Mount Adaptor (PMA-109)**

**Wall Mount Bracket (WMB-302)**

**Ceiling Mount Bracket (CMB-301)**



**Corner Mount Adaptor (CMA-317)**

**Pole Mount Adaptor (PMA-319)**

**Junction Box (JB-307)**

**Junction Box (JB-308)**

