

RC4100-1212-27/1212-37

H.264 Indoor / Outdoor (with Outdoor Kit) PTZ Dome IP Camera

- Including Built-in Auto-Tracking License
- Up to 592X Zoom (Optical 27X or 37X, Digital 16X Selectable)
- H.264 25/30 FPS@D1, Two-way Audio
- Video Compression: H.264, MPEG-4, MJPEG (Dual Stream)
- Day & Night (IR Cut Filter), DSS
- De-interlacing on DSP
- Embedded Intelligent Video Analytics
- Burnt-in Text, Video Motion Detection Support
- Comprehensive SDK Support
- Stealth Spin® (World Most Silent Speed Dome)
- 0.024° Dome System Accuracy with 1/8 micro Step
- Controlling Pan/Tilt Speed While Zooming
- Reliable Materials
- RC4100 can be supported with a particular outdoor housing for the outdoor use.



Specifications

Camera Module (RC4100-1212-27)	
Image Sensor	1/4" Interline Transfer CCD
Number of effective Pixel	NTSC: 768(H) x 494(V) PAL: 752(H) x 582(V)
Horizontal resolution	560 TVL (Color) / 680TVL (B/W)
Lens	Optical
	Digital
Optical	27x Optical Zoom (F=1.6-F2.8, f=3.5-95 mm)
Digital	16x (432x with optical)
Day & Night (ICR)	Auto / Day / Night
Min. Focus Distance	1500 mm
Digital Slow Shutter	ON / OFF
Minimum Illumination	0.2 Lux (50 IRE): (Normal mode), 0.02 Lux (ICR On): (Night mode)
Luminance S/N ratio	50dB
BLC	ON / OFF
Flicker less (NTSC)	ON / OFF
Camera Module (RC4100-1212-37)	
Image Sensor	1/4" Interline Transfer CCD
Number of effective Pixel	NTSC: 768(H) x 494(V) PAL: 752(H) x 582(V)
Horizontal resolution	560 TVL (Color) / 680 TVL (B/W)
Lens	Optical
	Digital
Optical	37x Optical Zoom(F=1.6-F3.9, f=3.5-129.5 mm)
Digital	16x (592x with optical)
Day & Night (ICR)	Auto / Day / Night
Min. Focus Distance	1500 mm
Digital Slow Shutter	ON / OFF
Minimum Illumination	0.2 Lux (50 IRE): (Normal mode), 0.02 Lux (ICR On): (Night mode)
Luminance S/N ratio	50dB
BLC	ON / OFF
Flicker less (NTSC)	ON / OFF
PAN / TILT	
Pan Rotation Angle	360° Quick Endless Rotation
Pan Speed	Manual
	Preset
Manual	0.5° ~ 100 or 200° / sec (64 steps)
Preset	Max 300° / sec, Min 10° / sec
Tilt Rotation Angle	-2° ~ 90°
Tilt Speed	Manual
	Preset
Manual	0.5 ~ 45° / sec (64 steps)
Preset	Max 250° / sec, Min 200° / sec
System Accuracy	0.024°
Dome	
Presets	165 positions with 16 character labels available for each position with different speed steps
Guard Tour	Max 8 Groups (Each one consisting of up to 60 steps)
Auto Pan	Programmable Auto Scan
Pattern	8 Programmable Patterns (Total 480 seconds)
Sector	8 Selectable Sectors with 16 characters
Privacy Zone	8
Auto Flip	On / OFF
OSD menu	Yes
Video	
Compression Format	H.264, MPEG-4, MJPEG

Number of Streams	Dual Stream, Configurable
Resolution	D1, 4CIF, 2CIF, VGA, CIF, QVGA, QCIF
Compression FPS	25/30 fps@D1
De interlacing	Support (DSP)
Motion Detection	Support (DSP)
Burnt-in Text (Digital)	Support (DSP)
Output	1 Loop Out (BNC Connector)

Audio	
Input	1 channel
Output	1 channel
Compression Format	G.711
Function	
Digital Input	4 channel
Digital Output	2 channel
RS-485	Support
Network	10 / 100 Base-T
Protocol	TCP/IP, UDP/IP, HTTP, RTSP, RTCP, RTP/UDP, RTP/TCP, SNTP, mDNS, UPnP, SMTP, SOCK, IGMP, DHCP, DDNS, SSL v2/v3, IEEE 802.1X, SSH, SNMP v2/v3
SD Memory Card Slot	Support, micro SD up to 8 GB
Electrical	
Power Source	18-32 VAC 60/50Hz 850mA (indoor)
	18-32 VAC 60/50Hz 1.5A (outdoor)
Power Consumption (Approx)	18W Max (indoor) 36W Max (outdoor)
Environmental	
Fan / Heater	Fan and heater (outdoor)
Operating Temperature	-10 °C ~ 50 °C (14 °F ~ 122 °F) (indoor) -40°C ~ 50°C (-40 °F ~ 122 °F) (outdoor)
Certification	FCC / CE, IP66 (outdoor)
Operating Humidity	Up to 85% RH (Non-condensing)
Mechanical	
Material	Indoor
	Outdoor
Indoor	ABS
Outdoor	Aluminum, Anti-vandal bubble (Poly Carbonate)
Color	Cool gray
Dimension	Housing: 147(Φ) x 190(H) mm / 5.8"(Φ) x 7.5"(H) (indoor) Housing: 149(Φ) x 312(H) mm (outdoor)
Weight (Approx)	1.9kg (5lbs) (indoor) 5.7 kg (outdoor)

RC4100-1212-27/1212-37

Video Content Analysis (Included as Standard)

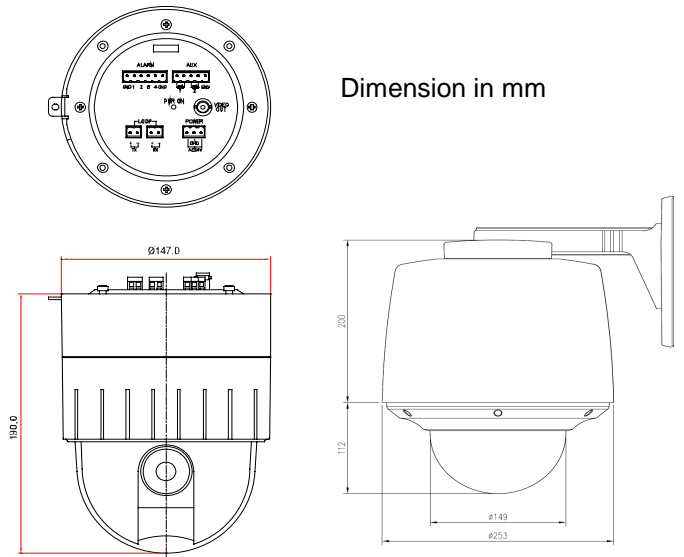
High Performance	Advanced Tracking Algorithm, Low False Alarm Rate
Easy to Use	Intuitive Web Browser Interface
Detection Zones	Multi-segment Polygons and Lines
On-screen Display	Real-time Display of Tracking Data and Events
Auto Tracking	Automatic Tracking of Objects

Video Content Analysis (Option)

Detection Behavior	Direction, Stopping, Loitering, Entering, Exiting, Appear, Disappear Filters, Abandoned and Removed Object, Tail-gating
3D Behavior	Perspective Corrected Size and Speed Filters
Statistics	Counting Functions and Other Statistics
Meta Data	Plain XML Format

Image Stabilization (Option)

Electronic Stabilization	Removes Camera Sway
---------------------------------	---------------------



Dimension in mm

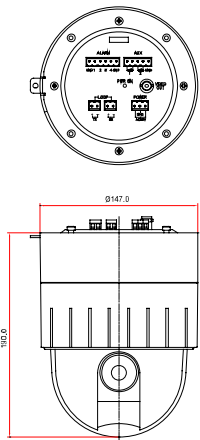
Ordering information

Option Model	Camera Module	Day & night	WDR	PoE	USB	SD	VCApresence	Auto Tracking
RC4100-1212-27	Samsung 27X Optical Zoom	ICR	X	X	X	O	O	O
RC4100-1212-27 Outdoor	Samsung 27X Optical Zoom	ICR	X	X	X	O	O	O
RC4100-1212-37	Samsung 37X Optical Zoom	ICR	X	X	X	O	O	O
RC4100-1212-37 Outdoor	Samsung 37X Optical Zoom	ICR	X	X	X	O	O	O

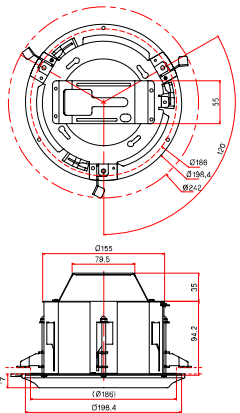
* RC4100 Outdoor = RC4100 + ODH-103N

RC4100-1212-27/1212-37

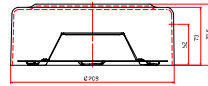
RC4100 Dimension & Accessories



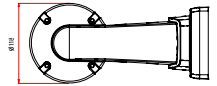
RC4100



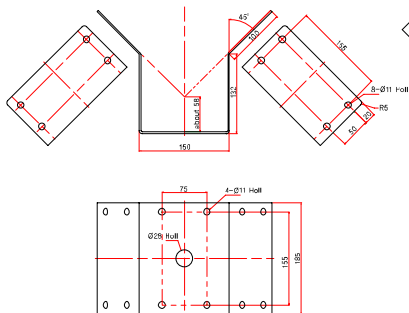
Flush Mount Bracket (FMB-101)



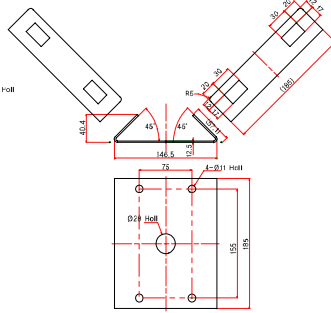
Hard Ceiling Mount Bracket (HCMB-108)



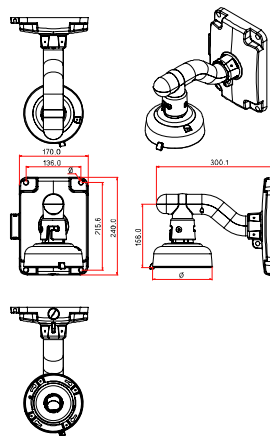
Wall Mount Bracket (WMB-104N)



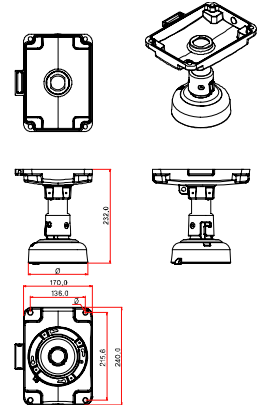
Corner Mount Adaptor (CMA-107)



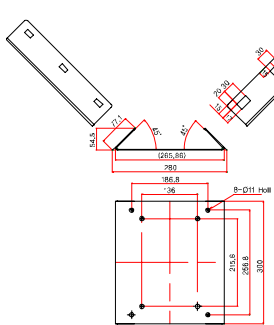
Pole Mount Adaptor (PMA-109)



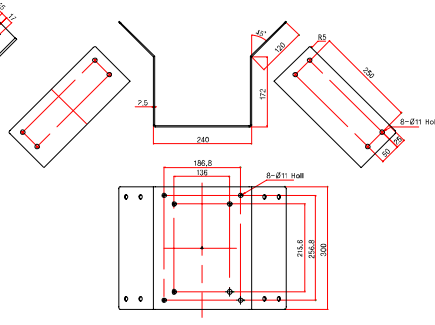
Wall Mount Bracket (WMB-302)



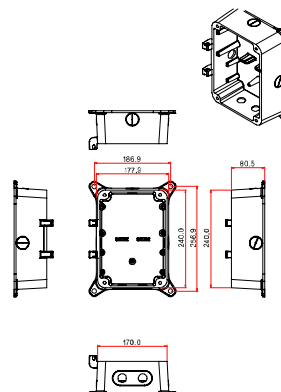
Ceiling Mount Bracket (CMB-301)



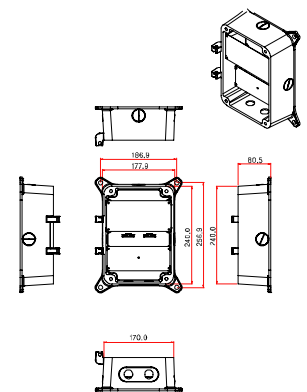
Corner Mount Adaptor (CMA-317)



Pole Mount Adaptor (PMA-319)



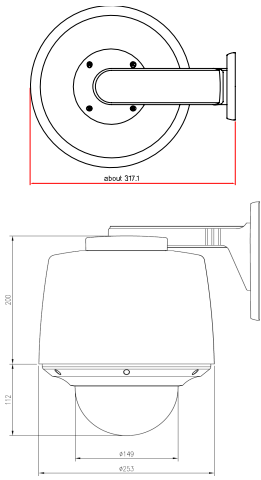
Junction Box (JB-307)



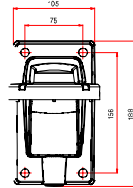
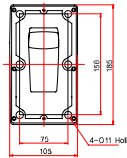
Junction Box (JB-308)

RC4100-1212-27/1212-37

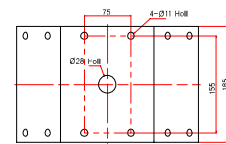
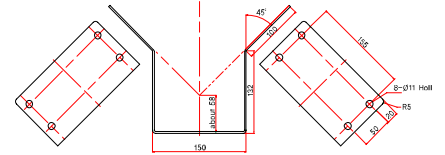
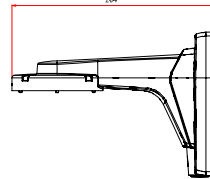
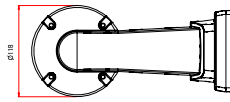
RC4100 with Outdoor Kit Dimension & Accessories



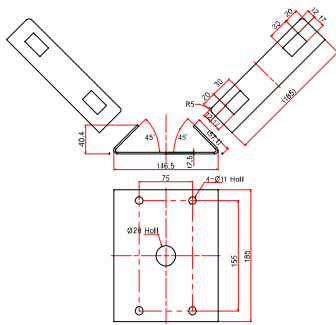
RC4100



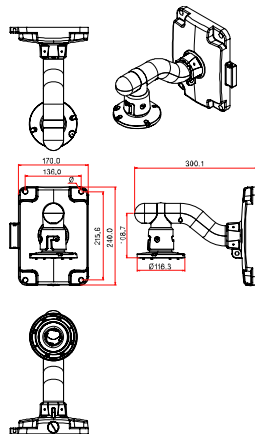
Wall Mount Bracket (WMB-104N)



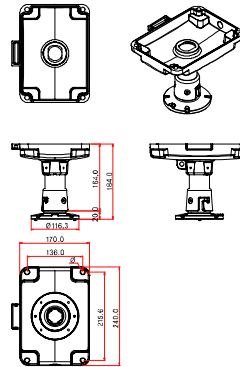
Corner Mount Adaptor (CMA-107)



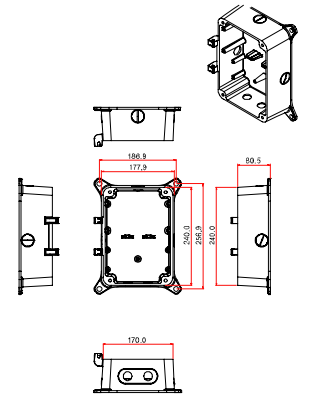
Pole Mount Adaptor (PMA-109)



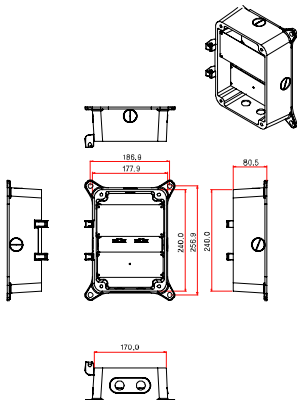
Wall Mount Bracket (WMB-305)



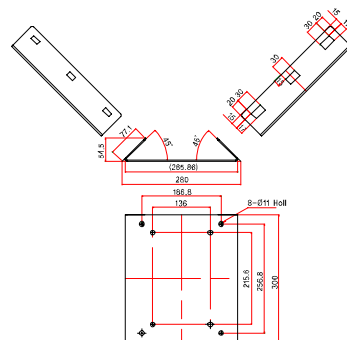
Ceiling Mount Bracket (CMB-304)



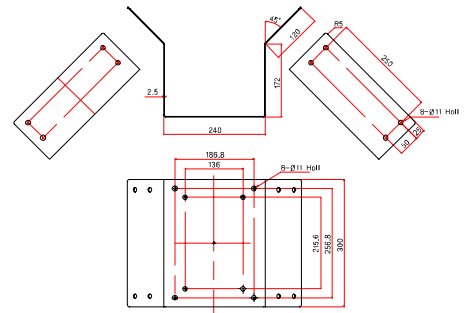
Junction Box (JB-307)



Junction Box (JB-308)



Corner Mount Adaptor (CMA-317)



Pole Mount Adaptor (PMA-319)