

RC3500L-1111/1211

H.264 Indoor/Outdoor Dome IP Camera

Entry Level high complete, high video quality Indoor/Outdoor Dome IP H.264 camera. The camera contain high quality CCD sensor for low light condition. It includes Video Analytic solution as a standard feature limited to a single zone detection.

- Embedded Intelligent Video Analytics
- H.264 25/30 FPS@D1, 2-way Audio
- Video Compression: H.264, MPEG-4, MJPEG, Dual Stream
- Enhanced Deinterlacing on DSP
- MicroSD Memory Support
- IP 66 Support
- Burnt-in Text, Video Motion Detection Support
- Comprehensive SDK Support



Video Analytics included

Specifications

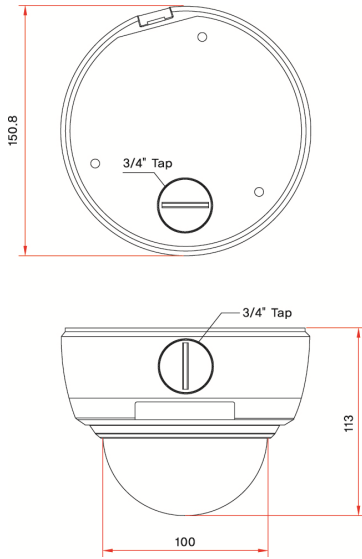
Camera Module (RC3500L-1111 / 1211)	
Image Sensor	Sony 1/3" SONY Super HAD CCD
Effective Pixels	768 x 494 (NTSC) / 752 x 582 (PAL)
Scanning System	2:1 Interlace
Horizontal Resolution	550 TVL (Min.)
S/N Ratio	52dB (AGC Off, Weight On)
Minimum Illumination	0.3 Lux (50 IRE, AGC HIGH, DNR HIGH) 0.002 Lux (Sens-up X 128)
Lens	2.8-10.5 mm F1.2 DC Auto Iris Board Vari-Focal
Day & Night	S/W (RC3500L-1111) IR Cut Filter Remove (RC3500L-1211)
Video	
Compression Format	H.264, MPEG-4, MJPEG
Number of Streams	Dual Stream, Configurable
Resolution	D1 / 4CIF / VGA / CIF / QVGA / QCIF
Compression FPS	25/30 fps@D1
Deinterlacing	Optional (On / Off)
Motion Detection	Built-in (DSP)
Burnt-in Text (Digital)	Built-in (DSP)
Analog Output	1 Loop Out, Molex Connector Inside
Audio	
Input	1 channel
Output	1 channel
Compression Format	G.711
Function	
Digital Input	1
Digital Output	1
Serial Port	RS-485
Network	10 / 100 Base-T
Protocol	TCP/IP, UDP/IP, HTTP, RTSP, RTCP, RTP/UDP, RTP/TCP, SNMP, mDNS, UPnP, SMTP, SOCK, IGMP, DHCP, FTP, DDNS, SSL v2/v3, IEEE 802.1X, SSH, SNMP v2/v3
SD Memory	Support (microSD, up to 4GB)

Electrical	
Power Source	12V DC
Power over Ethernet	Support (IEEE 802.3af)
Power Consumption (Approx)	320 mA @ +12V DC (RC3500L-1111)
Environmental	
Operating Temperature	-10 °C ~ 50 °C (14 °F ~ 122 °F)
Operating Humidity	Up to 85% RH (Non-condensing)
Mechanical	
Material	Aluminum Die Casting / Polycarbonate
Color	Ivory
Dimension	Housing: 150(Φ) x 113(H) mm, Dome: 100(Φ) mm
Weight (Approx)	1,100 g
Video Content Analysis Included as Standard	
High Performance	Advanced Tracking Algorithm, Low False Alarm Rate
Easy to Use	Intuitive Web Browser Interface
Detection Zones	Single Zone detection, multi-segment Polygons and Lines
On-screen Display	Real-time Display of Tracking Data and Events
Camera Shake Cancellation	Improve the VCA performance with cameras that are prone to shake
Tamper Detection	Detect camera tampering

RC3500L-1111/1211

Dimension

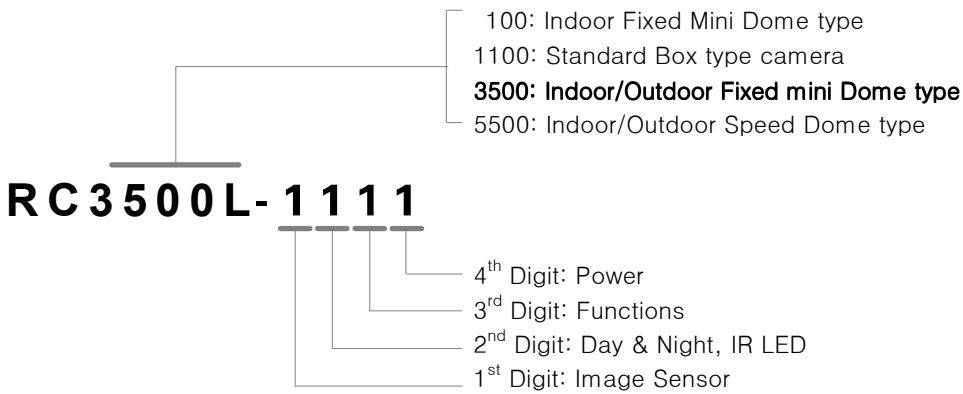
(unit: mm)



Ordering information

Option Model	Day & Night	WDR	PoE	USB	SD	VCAlite
RC3500L-1111	S/W	X	O	X	O	O
RC3500L-1211	ICR	X	O	X	O	O

Product Naming Convention



1st Digit (RCxxxx-0xxx)	
code	Image Sensor
0	270K CCD
1	410K CCD
2	410K WDR CCD
3	1.3M CCD
5	VGA CMOS
6	1.3M CMOS
7	2M CMOS

2nd Digit (RCxxxx-x0xx)	
code	Day&Night, IR LED
0	None
1	S/W Day&Night
2	IR Cut Day&Night
3	IR LED
4	S/W Day&Night, IR LED
5	IR Cut Day&Night, IR LED

3rd Digit (RCxxxx-xx0x)	
code	Function
0	None
1	S
2	U
3	W
4	SU
5	SW
6	UW
7	SUW

4th Digit (RCxxxx-xxx0)	
code	Power
0	DC12V
1	DC12V & PoE
2	AC24V
3	AC24V & PoE
4	DC12V & AC24V
5	DC12V & AC24V & PoE

Abbreviation

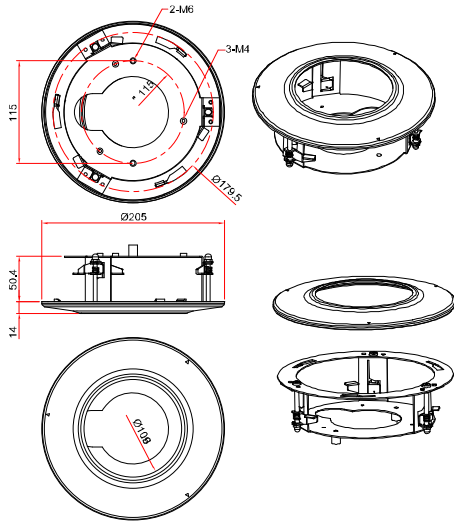
S = SD memory

U = USB

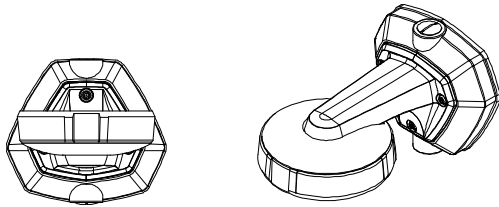
W = Wireless LAN

RC3500L-1111/1211

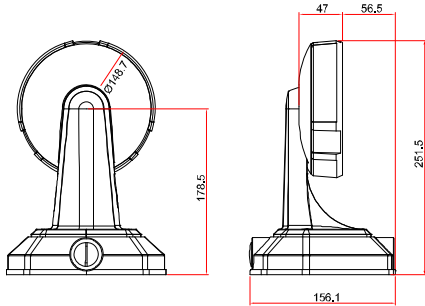
Accessories



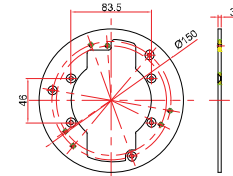
Flush Mount Bracket (FMB-RC3500)



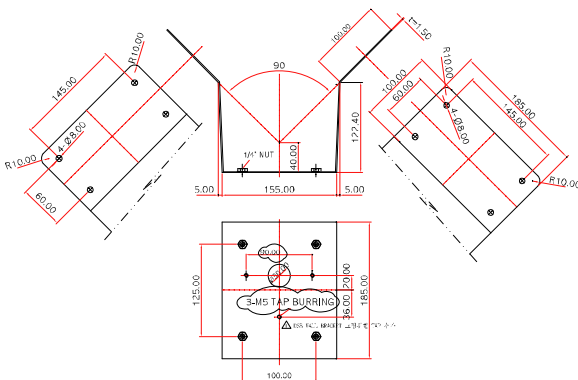
Ceiling Mount Bracket (CMB-35XX-1)



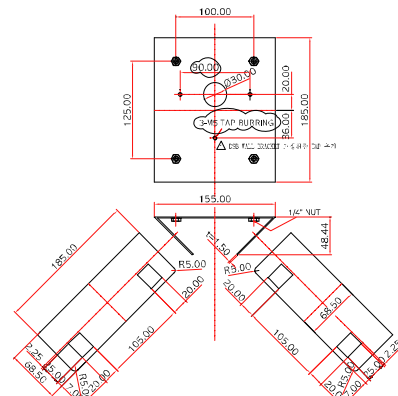
Wall Mount Bracket (WMB-RC35XX)



Gang Box Plate (GBP-35XX)



Corner Mount Adaptor (CMA-35XX)



Pole Mount Adaptor (PMA-35XX)