

RC1100L

H.264 Standard Box IP Camera

Entry Level high complete, high video quality Standard IP H.264 camera. Contain high quality CCD sensor for low light condition. The camera include RIVA's Video Analytic solution as a standard limited to a single zone detection

- H.264 D1 25/30 FPS
- Video Compression: H.264, MPEG-4, MJPEG
- Dual Stream
- Enhanced Deinterlacing on DSP
- Embedded Intelligent Video Analytics
- Burnt-in Text, Video Motion Detection Support
- 2-way Audio with G7.11
- microSD Memory Support
- Remote Firmware Upgrade over the network
- Comprehensive SDK Support



3~8mm Lens (CS mount) is optional

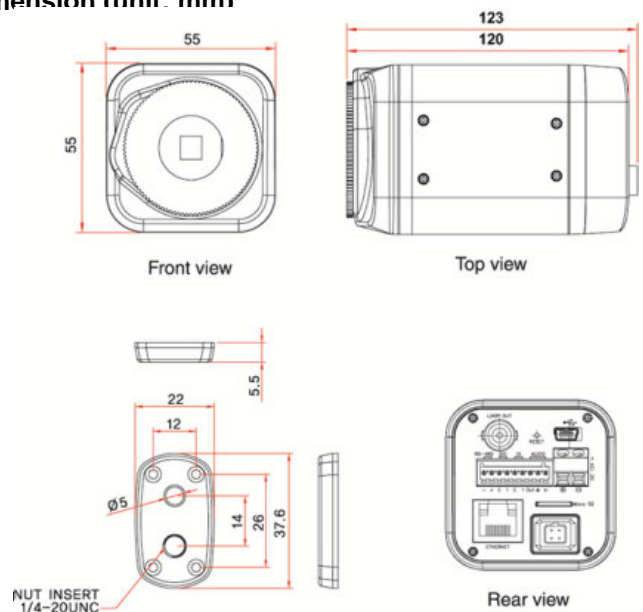


Specifications

Camera Module (RC1100-1241)	
Image Sensor	1/3" SONY Super HAD CCD
Effective Pixels	768 x 494 (NTSC) / 752 x 582 (PAL)
Scanning System	2 : 1 Interlace
Horizontal Resolution	550 TVL
S/N Ratio	52dB (AGC Off, Weight On)
Minimum Illumination	0.3 Lux (50 IRE, AGC HIGH, DNR HIGH) 0.002 Lux (Sens-up X 128)
Lens (Bundle Option)	3~8 mm Day & Night Vari-Focal Auto Iris
Day & Night	IR Cut Filter Remove
Video	
Compression Format	H.264, MPEG-4, MJPEG
Number of Streams	Dual Stream, Configurable
Resolution	D1 / 4CIF / VGA / CIF / QVGA / QCIF
Frame Rate	30 fps@D1
De-interlacing	Optional (On / Off)
Motion Detection	Built-in (DSP)
Burnt-in Text	Video stream overlay text (DSP)
Analog Output	1 Loop Out, BNC Connector
Audio	
Input	1 channel
Output	1 channel
Compression Format	G.711
Function	
Digital Input	1
Digital Output	1
Serial port	RS485
Network	10 / 100 Base-T
Protocol	TCP/IP, UDP/IP, HTTP, RTSP, RTCP, RTP/UDP, RTP/TCP, SNTP, mDNS, UPnP, SMTP, SOCK, IGMP, DHCP, DDNS, SSL v2/v3, IEEE 802.1X, SSH,
Users	WEB access, up to 20 simultaneous user, depending on resolution settings – Unicast Multicast - Unlimited
USB 2.0	Mini-B Plug (External storage, Wireless LAN)
SD Memory	Optional, microSD up to 8GB
Electrical	
Power Source	12V DC, (DC jack)
Power over Ethernet	Support, IEEE 802.3af
Power Consumption (Approx)	350 mA @ +12V
Environmental	
Operating Temperature	10 °C ~ 50 °C (14 °F ~ 122 °F)
Operating Humidity	Up to 85% RH, Non-condensing
Mechanical	

Material	Aluminum Die Casting-2
Color	White Pearl
Dimension	55(W) x 55(H) x 120(D) mm
Weight (Approx)	290g, without Lens
Primary Intelligent Video Analytics (Included as Standard)	
High Performance	Advanced Tracking Algorithm, Low False Alarm Rate
Easy to Use	Intuitive Web Browser Interface
Detection Zones	Single Zone detection, multi-segment Polygons and Lines
On-screen Display	Real-time Display of Tracking Data and Events
Camera Shake Cancellation	Improve the VCA performance with cameras that are prone to shake
Temper Detection	Detect camera tampering

Dimension (unit: mm)



Power supply

- SA115C-12 (DC 12V, 1.3A Adaptor) [Order number: SA115C-12]