

RC1100-1141/1241/-2241

Standard BOX IP Camera (H.264)

- Embedded Intelligent Video Analytics
- H.264 25/30 FPS@D1, 2-way Audio
- Video Compression: H.264, MPEG-4, MJPEG, Dual Stream
- Enhanced Deinterlacing on DSP,
- USB 2.0 Support (Local Storage, Wireless LAN)
- MicroSD Memory Support
- Remote Firmware Upgrade over Network
- Comprehensive SDK Support



3~8mm Lens (CS mount) is optional

Intelligent Video Analytics included

Specifications

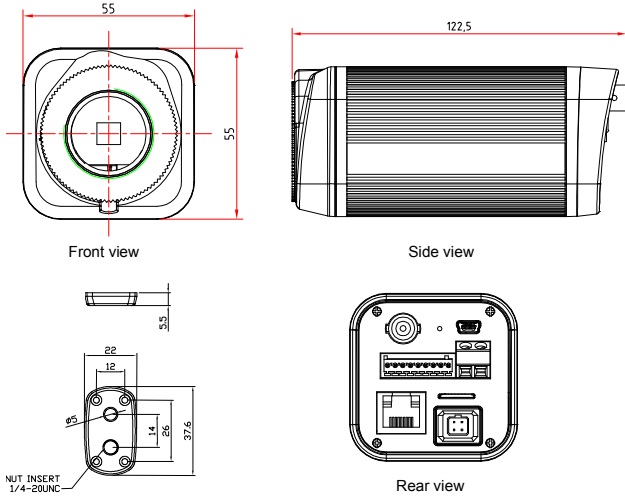
Camera Module (RC1100-1141 / 1241)	
Image Sensor	Sony 1/3" SONY Super HAD CCD
Effective Pixels	768 x 494 (NTSC) / 752 x 582 (PAL)
Scanning System	2:1 Interface
Horizontal Resolution	520 TVL (Min.)
Minimum Illumination	0.3 Lux (50 IRE, AGC HIGH, DNR HIGH) 0.002 Lux (Sens-up X 128)
Lens (Bundle Option)	3~8 mm Day & Night Vari-Focal Auto Iris
Day & Night	S/W (RC1100-1141) IR Cut Filter Remove (RC1100-1241)
Camera Module (RC1100-2241)	
Image Sensor	Sony 1/3" SONY DS CCD
Effective Pixels	768 x 494 (NTSC) / 752 x 582 (PAL)
Scanning System	2 : 1 Interface
Horizontal Resolution	COLOR: 560 TVL
Dynamic Range	52dB (x128)
Minimum Illumination	0.3 Lux / F1.2 (Color) 0.002 Lux (Sens-up)
Lens (Bundle Option)	3~8 mm Day & Night Vari-Focal Auto Iris
Day & Night	IR Cut Filter Remove
Video	
Compression Format	H.264, MPEG-4, MJPEG
Number of Streams	Dual Stream, Configurable
Resolution	D1, CIF, QCIF
Compression FPS	25/30 fps@D1
Deinterlacing	Support (DSP)
Motion Detection	Support (DSP)
Burnt-in Text (Digital)	Support (DSP)
Analog Output	1 Loop Out (BNC Connector)
Audio	
Input	1 channel
Output	1 channel
Compression Format	G.711
Function	
Digital Input	1
Digital Output	1
Serial Port	RS-485
Network	10 / 100 Base-T
Protocol	TCP/IP, UDP/IP, HTTP, RTSP, RTCP, RTP/UDP, RTP/TCP, SNMP, mDNS, UPnP, SMTP, SOCK, IGMP, DHCP, FTP, DDNS, SSL v2/v3, IEEE 802.1X, SSH, SNMP v2/v3
USB 2.0	Support (Mini-B Plug)
SD Memory	Support (microSD, Optional)

Electrical	
Power Source	12V DC (DC jack)
Power over Ethernet	Support (IEEE 802.3af)
Power Consumption (Approx)	390 mA @ +12V DC
Environmental	
Operating Temperature	-10°C ~ 50°C (14F ~ 122F)
Operating Humidity	Up to 85% RH (Non-condensing)
Mechanical	
Material	Aluminum Die Casting-2
Color	White Pearl
Dimension	55(W) x 55(H) x 122(D) mm
Weight (Approx)	290g (without Lens)
Primary Intelligent Video Analytics (Included as Standard)	
High Performance	Advanced Tracking Algorithm, Low False Alarm Rate
Easy to Use	Intuitive Web Browser Interface
Detection Zones	Multi-segment Polygons and Lines
On-screen Display	Real-time Display of Tracking Data and Events
Camera Shake Cancellation	Improve the VCA performance with cameras that are prone to shake
Tamper Detection	Detect camera tampering
Advanced Intelligent Video Analytics (Option)	
Detection Behavior	Direction, Stopping, Loitering, Entering, Exiting, Appear, and Disappear Filters, Abandoned/Removed Object Detection, Tailgating Detection
3D Behavior	Perspective Corrected Size and Speed Filters
Statistics	Counting Functions and Other Statistics
Meta Data	Plain XML Format
Image Stabilization (Option)	
Electronic Stabilization	Removes Camera Sway

RC1100-1141/1241/-2241

Dimension

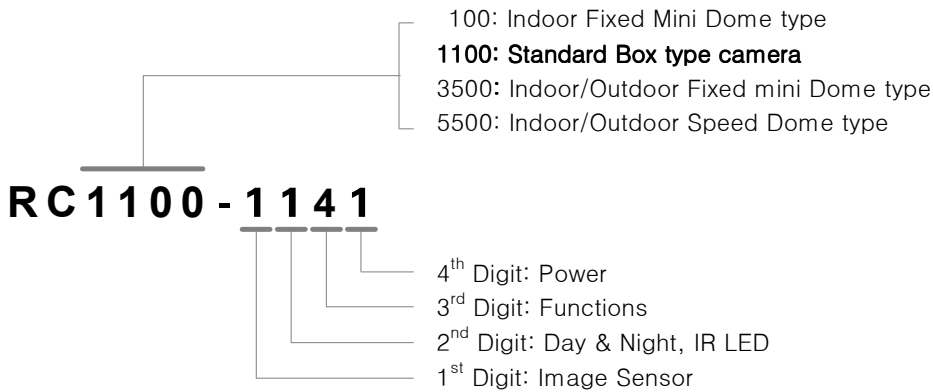
(unit: mm)



Ordering information

Option Model	Day & Night	WDR	PoE	USB	SD	VCApresence
RC1100-1141	S/W	X	O	O	O	O
RC1100-1241	ICR	X	O	O	O	O
RC1100-2241	ICR	O	O	O	O	O

Product Naming Convention



1st Digit (RCxxx-0xxx)	
code	Image Sensor
0	270K CCD
1	410K CCD
2	410K WDR CCD
3	1.3M CCD
5	VGA CMOS
6	1.3M CMOS
7	2M CMOS

2nd Digit (RCxxx-x0xx)	
code	Day&Night, IR LED
0	None
1	S/W Day&Night
2	IR Cut Day&Night
3	IR LED
4	S/W Day&Night, IR LED
5	IR Cut Day&Night, IR LED

3rd Digit (RCxxx-xx0x)	
code	Function
0	None
1	S
2	U
3	W
4	SU
5	SW
6	UW
7	SUW

4th Digit (RCxxx-xxx0)	
code	Power
0	DC12V
1	DC12V & PoE
2	AC24V
3	AC24V & PoE
4	DC12V & AC24V
5	DC12V & AC24V & PoE

Abbreviation

S = SD memory

U = USB

W = Wireless LAN