

IRM Series

Motorized IR Illuminator with 5° to 80° variable Field Illumination

Feature Highlights

- Revolutionary 5° to 80° Variable Field of Illumination
- Designed for Stand-alone or Remote Operation
- Ideally suited for Integration with PTZ
- Motorized Models
- Ethernet, USB, or Serial Interface for Automatic Control **



The illumX™ **IRM Series** provides a high performance optical design that creates consistent illumination over long distances and through an incredible range of variable illumination angles - all from a single product. Combined with state-of-art LED technology and a unique optical design for each and every LED, RIVA's illumX based illuminators provide the capability and flexibility that the industry has been demanding.

Revolutionary Motorized-Zoom Illumination

illumX™ motorized zoom illuminators are revolutionary new products designed to optimize commercial and industrial video security camera products. Designed to work with both analog and network video security cameras, illumX™ IRM Series creates the ability for the installer and end user to adjust an evenly distributed field of illumination ranging from 5° to 80° with extremely high efficiency.

Lifetime Performance & Reliability

In addition to the standard Active Illumination Management (AIM™) which manages the LED health throughout the life of the product, the IRM Series also features Remote Illumination Management (RIM™) technology. RIM™ allows the operator to remotely adjust and monitor parameters such as viewing angle, brightness, power consumption, status, diagnostics and more.

Flexibly continues with a wide availability of electrical interfaces that allow the product to be controlled remotely by the operator. PTZ cameras now have the ability to interface directly with the illuminator and command the illuminator to provide light illumination that best matches the current zoom setting - optimizing the amount of light available to see more consistently and further than ever before.

Scalable Performance

Further ease of use and flexibility is provided by using the optional mounting accessories and power supplies. Units can be easily mounted and pointed on target, and multiple units can be combined together with the, adjustable bracket accessory to provide even greater coverage or to increase overall light output. IRM power supplies are uniquely developed to allow one or multiple illuminators to be power from a single unit reducing costs and installation time.

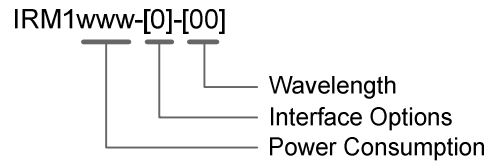
** Planned for future release Contact sales associate for more details.

IRM Series

Specifications

Illuminator	
LED's	Extremely high brightness LED's mounted on a aluminum core board for maximum heat transfer
Number of LED's	23 LED's - IRM1040
Beam Pattern (Approx.)	5° to 80°
Wavelength	850nm(Default), 940nm/White-Light(Optional)
Power Consumption	0W - 45W (IRM1040)
Input Voltage	24V DC or 24V AC
Operating Temperature	-40°C to +50°C
Environmental	IP67
Housing	Single body diecast aluminum
Weight	1.6 kg / 3.1 lb (IRM1040)
Color	Black powder coat finish with acrylic front window
Power Cable	Optional 110/230V regulated power supply
Electrical Interfaces	(1) Serial Interface
Mechanical Interfaces	3 IP67 rated cord grips Photo-Sensor Adjustment Brightness Adjustment Photosensor D/N Adjustment 2 Buttons for Wide/Narrow
Comm Interfaces	RS232, RS485, D Protocol
Certifications	FCC, CE

Product Naming Convention



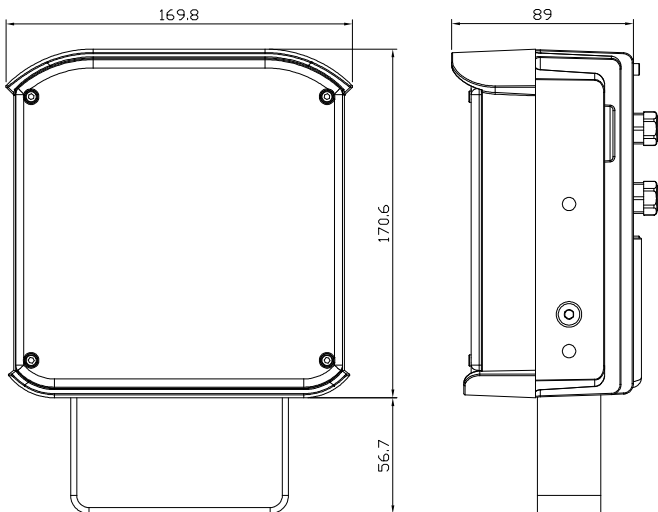
www	
Code	Power Consumption
040	40W

Subcode1 (0)	
Code	Interface Options
0	Default control
E	Ethernet added, No USB, No PoE, 40W or above only
U	USB added, No Ethernet, No PoE, 40W or above only
P	Ethernet & PoE added, No USB, 20W only

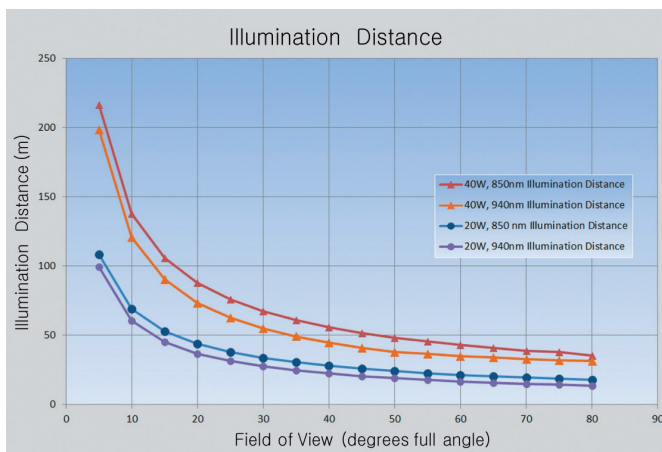
Subcode2 (00)	
Code	Wavelength
00	Default(850nm)
94	940nm
WL	White Light

Dimension

(unit: mm)

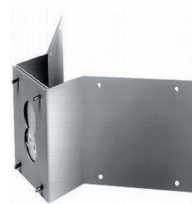


Illumination Distance Information



Accessories & Mounts

Model (Option)	Description
IRM-PWR35	35 Watt External IP67 110/220 VAC External Power Supply
IRM-PWR65	65 Watt External IP67 110/220 VAC External Power Supply
IRM-PWR125	125 Watt External IP67 110/220 VAC External Power Supply
IRM-PWR200	200 Watt External IP67 110/220 VAC External Power Supply
IRM-CB	Corner Bracket (Also Use IRM-WM)
IRM-PB	Pole Bracket (Also Use IRM-WM)
IRM-WM	Pan-Tilt Adjustable Wall Mount



IRM-CB



IRM-PB



IRM-WM

Please Note: Datasheet Primarily Version