

Professional passive infrared detector with VISATEC® signal evaluation

A modern design, fast installation and reliable detection with an extended detection range make the IR310C and IR312C the ideal motion detector for monitoring large indoor areas in public and industrial buildings, shops, offices, etc.



Ideal for large areas

These detectors are ideal to be used in shops, offices, buildings with public access and industrial buildings, due to the detection range of 18 m (IR310C) or 50 m (IR312C),

Fast and simple installation

The multipurpose base of the housing ensures wall and 45 ° corner mounting without accessories. The detectors have a unique, variable mirror mechanism with horizontal and vertical swivelling and tilting. The system is easy to adjust using the integrated zone indicator or the optional zone locator.

Outstanding immunity

A comprehensive protection concept makes the detector insensitive to environmental problems such as draughts, temperature fluctuations, insects, electromagnetic interference or white light.

Safe detection

The patented mirror optics ensure a high level of detection reliability, due to a look down zone for crawl protection, and uniform sensitivity in the 'chess-board' zone pattern. VISATEC, the microcontroller-based multi-criteria signal analysis system, differentiates intelligently and reliably between intruders and disturbance signals.



18 m wide angle with look down zone (IR310C) or 50 m continuous curtain (IR312C)



Unique zone locator with two-colour display for rapid and optimal mirror alignment (option)



Fully digital microcontroller-based VISATEC® signal evaluation



Monitored power supply voltage



Easy to install thanks to exceptional mechanism of mirror



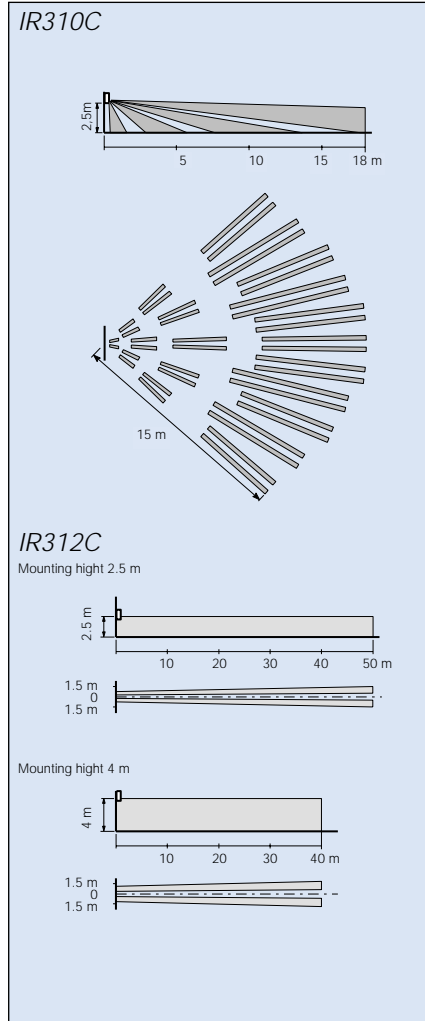
Attractive design



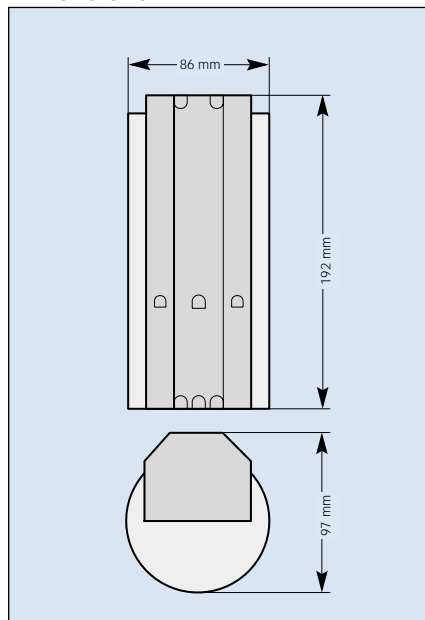
Outstanding protection against insects and immunity from electromagnetic interference

VISATEC® professional passive infrared detector

Coverage area



Dimensions



Technical data

Supply voltage	10 ~ 16 V
• Maximum ripple (0 ~ 100 Hz)	2.0 Vpp
• Voltage monitoring	< 8.7 V ±0.9 V
Current consumption (at 12 V)	
• Quiescent	12 mA
• Maximum when alarm occurs (with LED)	29 mA
Alarm outputs	
• Relay contact	30 Vdc / 75 mA / Ri 33Ω
• Alarm holding time	2.5 s
• Walktest indication (LED)	remote control facility
Tamper contact (closed with cover on)	30 Vdc / 50 mA
Control inputs	
• For walk test	HIGH / LOW
Optical system	mirror
Coverage	
• IR310C (wide area)	18 m / 20 zones
• IR312C (long area)	50 m / 10 zones
Evaluation mode, selectable	standard / high
Ambient conditions	
• Operating temperature	-20 ~ +55 °C
• Storage temperature	-20 ~ +60 °C
• Air humidity (EN 60721)	< 95% rh, non-condensing
• Housing protection category (IEC529)	IP41
• Insensitive to HF interference fields,	
0.1 ~ 1000 MHz	15 V/m
• Immunity to spike voltages on supply line	
– differential (IEC801-5)	1 kV
– Common mode (IEC801-5)	3 kV

Ordering data

Type	Art. No.	Designation	Weight
IR310C	445555.0-001	Passive infrared detector (wide angle)	0.380 kg
IR312C	445966.0-001	Passive infrared detector (curtain)	0.380 kg
IRKL3	445788.0-001	Auxiliary terminal (set of 10)	0.020 kg
IRMF310	456489.0-001	Masking foil for IR310 (set of 10)	0.025 kg
IRMF312	456492.0-001	Masking foil for IR312 (set of 10)	0.040 kg
IRPL31	455684.0-001	Zone locator for IR310, IR312	0.010 kg
IRAK3	464853.0-001	Back tamper contact	0.010 kg

