



IR270CT

Visatec II

Passive infrared detector

with Adaptive Real-Time anti-mask surveillance

- 18 m wide angle with look down zone or 25 m continuous curtain (optional)
- Fully digital Visatec II signal evaluation
- True temperature compensation
- Three-stage white light filter with triplex black mirror optics

Versatile application. A unique combination of maximum detection reliability and immunity to false alarms make the IR270CT ideally suited for use in a wide range of applications, including commercial and industrial premises and public buildings.

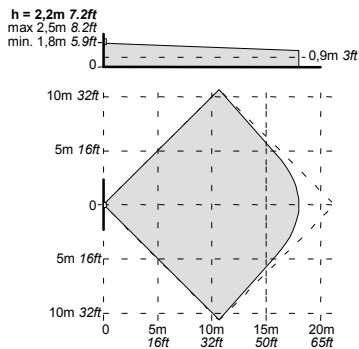
Anti-mask surveillance. The IR270CT is protected against accidental or sabotage masking. It is monitored for anything that has an influence on this circuitry, e.g. spray, foils, hats, boxes, coats, etc..

Outstanding immunity. A comprehensive protection concept makes the detector insensitive to environmental problems.

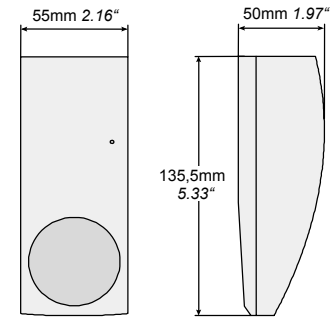
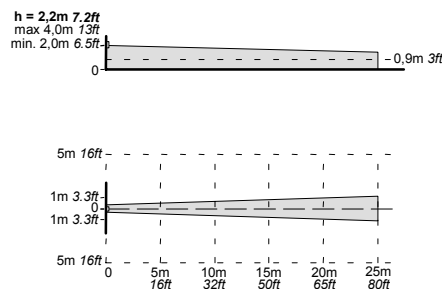
Safe detection. A look down zone for crawl protection, and uniform sensitivity in the 'chessboard' zone pattern guarantee a high level of detection reliability. The multi-criteria signal analysis system differentiates intelligently and reliably between intruders and disturbance signals.

Coverage area and dimensions

Wide angle mirror (standard)



Curtain mirror IRS272 (option)



Technical data

Supply voltage (12 V nom.)	8.0 ... 16.0 V _{DC}
- Max. ripple (0 ... 100 Hz)	2.0 V _{PP}
- Voltage monitoring	Alarm at < 5.5 ... 7.5 V
Current consumption (at 8 ... 16 V _{DC})	
- Quiescent / when alarm occurs (with LED)	3.2 mA / <10 mA
Alarm output, semiconductor relay	30 V _{DC} / 100 mA / R _i <45 Ohm
Alarm holding time	2 ... 3 s
Walktest indicator	LED
Tamper contact	30 V _{DC} / 100 mA
Control inputs	LOW ≤1.5 V / HIGH ≥3.5 V
Walking speeds	
- Wide angle / Curtain	0.1 ... 4.0 m/s / 0.1 ... 4.0 m/s
Operation temperature	-20 ... +55 °C
Storage temperature	-20 ... +60 °C
Humidity (EN60721)	<95 % r.h., non condensing
EMI rejection up to 1 GHz / up to 2 GHz	>30 V/m / >10 V/m
Housing protection EN60529, EN50102	IP41
Approvals	- UL applied for - ANPI applied for

Details for ordering

Type	Art. No.	Designation	Weight
IR270CT	A5Q00003273	Passive infrared detector	0.150 kg / 5.3 oz
IRS272	571733	Curtain mirror (set of 4)	0.055 kg / 1.9 oz
IRUM20	562247	Swivel wall-mount bracket	0.044 kg / 1.5 oz
IRUM30	562250	Swivel ceiling mount bracket	0.072 kg / 2.5 oz
-	503251	Adhesive tamper seal	-

Siemens Building Technologies AG
Alte Landstr. 411
CH-8708 Männedorf
Tel. +41 1 - 922 6111
Fax +41 1 - 922 6450
www.sibt.com

© 2003 Copyright by
Siemens Building Technologies AG
Data and design subject to change without notice.
Supply subject to availability.