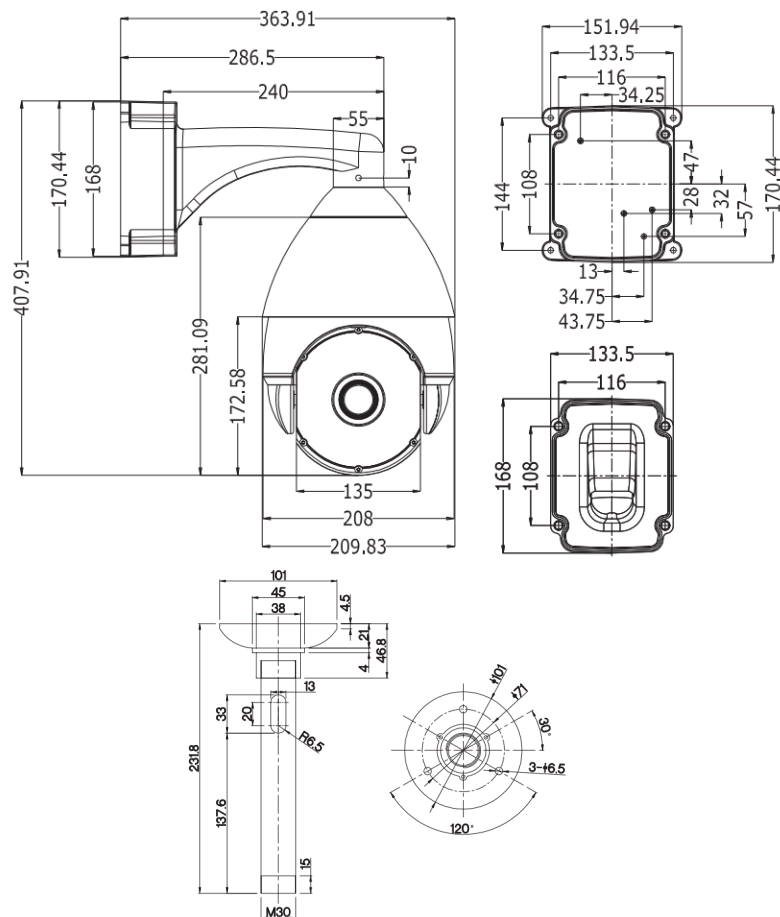


IR High Speed Dome



Dimension:



Technical Specifications:

Model	IR High Speed Dome Camera
IR Function	
IR Distance	Up to 110m
Operation	
OSD Menu	English
Preset	220, Accuracy <math>< \pm 10\%</math>
Scan	4 tours, 4 patterns, 4 autos, 8 zones, 8 privacy zones
Pan Speed	0.08°—240°/ sec
Tilt Speed	0.08°—240°/ sec
Pan Range	0—360° (Continuous)
Tilt Range	0-90°
Communication	RS485
Sync System	128
Left & Right scan	External Sync
Protocol	Pelco - P/D Auto Deected
Baud Rate	2400bps, 4800bps, 9600bps, 19200bps
Address Range	1—255 (Support Address Setup)
IR Far Light Switch	8 Times (Default), Setup in Personal
Time Running	Settable
Others	
Housing	Aluminum Alloy/ Plastic, Water proof Housing
Waterproof	IP66
Fan Rotation	Continuous, 6500rpm/min + 5000rpm/min
Protection Grade	IP66
Working Temp.	Indoor: -40°C—50°C; Outdoor: -30°C—50°C
Humidity	<math>< 90\%</math>
Atmospheric Pressure	86—106Kpa
Installation	Outdoor and Indoor
Power (Max)	IR dot matrix Dome Camera, IR Distance 80m: 15VA (LED Off); 32VA (LED On); 46VA (Heating Condition) IR dot Matrix Dome Camera, IR Distance 110M: 15VA (LED Off); 36va (LED On); 51VA (Heating Condition)
Carton Diameter	310*310*450