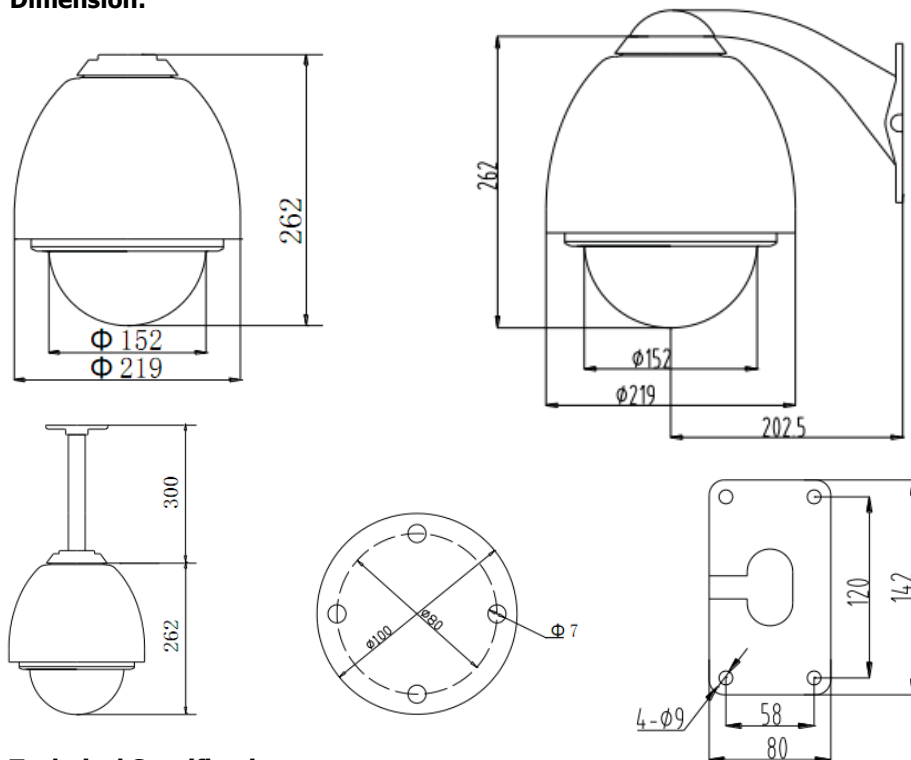


# Array IR Variable Speed Dome



## Dimension:



## Technical Specifications:

Power Supply	AC24V 50/60 Hz
Power Consumption	Indoor Dome: 12W; Outdoor Dome: 35W
Sync System	Internal
Preset	128 Preset

Protrol	6				
Auto Pan Scan	360° Programmable				
Pan Manual Control Speed	0—120°/s				
Pan Preset Speed	300°/s Max				
Pan Rotation Range	360° Continuous				
Tilt Range	Tilt 90°				
Tilt Speed	0—60°/s				
Tilt Preset Speed	90°/s				
Control Mode	RS485				
Baud Rate	2400/ 4800/ 9600/ 19200 bps				
Fan & Heater	Fan & Heater Auto-start (Only Outdoor Dome)				
Environment Temp.	Indoor Dome: 0°C—+40°C; Outdoor Dome: -35°C—+55°C				
Camera Optional tata	16X Color	18X Day/Night Switch	22X Color	23X Day/Night Switch	27 Day/Night Switch
Sync Mode	Internal				
Image Inductor	1/4" Color CCD				
Scanning System	2:1 Interlacing				
Resolution	>470TVL	≥480TVL			
Effective Pixel	PAL	470,000 Pixels	752*582 (440K)	758*592 (450K)	795*596 (470K)
	NTSC	440,000 Pixels	768*494 (380K)	758*504 (380K)	811*508 (410K)
Sensitivity	1Lux (F1.6)	1Lux/ 0.01Lux	0.2Lux (F1.6 1/3s)	1Lux/ 0.01Lux	1Lux/ 0.01Lux
Iris	Auto/ Manual				
Focus	Auto/ Manual				
Zoom Rate	16X Optional f=3.9—63 mm	18X Optional f=4.1— 73.8 mm	22X Optional f=4— 88 mm	23X optional f=3.6—82.8 mm	27X Optional f=3.6—82.8 mm
Angel of View	Wide: 47° Tele: 3°	Wide: 48° Tele: 2.7°	Wide: 47° Tele: 2.2°	Wide: 54° Tele: 2.5°	
B.L Compensation	Auto/ Manual				
White Balance	Auto/ Manual				
Gain Control	Auto/ Manual				
Signal Formal	Auto/ Manual				
S/N	>46dB	≥50dB			
Video Output	1.0 ± 0.2Vp-p				