

**MODEL NUMBER:** XKR900-1-0-GB-XX

# IMPROX KR

## ImproX (KR) Keypad Remote Reader INSTALLATION MANUAL

### SPECIFICATIONS

<b>Working Environment</b> .....	Designed to work in an indoor or outdoor environment similar to IP53. The ImproX KR is, therefore, sealed (potted) against water.	
<b>Input Voltage</b> .....	5 V DC, polarity sensitive.	
<b>Power Requirements</b>	<b>Current (mA)</b>	<b>Power (W)</b>
Input Voltage 5 V DC, Indicators ON, Back-lighting ON .....	140	0.70
<b>Frequency</b> .....	125 kHz.	
<b>Buzzer</b>		
Volume and Tone .....	Single tone, 4-step adjustable volume.	
<b>Keypad</b>		
Keys .....	12 Alphanumeric keys.	
Back-lighting .....	Turned on or off via the Communications Protocol.	
<b>Status Indicator</b>		
Status LED .....	Bi-coloured Red or Green (externally visible).	

### INSTALLATION INFORMATION

#### Accessories

Find the following when unpacking the Remote Reader:

- An ImproX KR Remote Reader housed in a Dark Grey, ABS Plastic housing. The ImproX KR consists of a Front Cover and a Backing Plate (the Backing Plate is attached with a Self-tapping Screw (M3 x 8 mm)).
- Four Brass Wood Screws (3.5 mm x 25 mm).
- Four Wall Plugs (7 mm).
- An extra Serial Number Label.

## General

---

Remember the following when installing the Remote Reader:

### Maximum Data Communications Distance

The distance between the Remote Reader and the ImproX DT, ImproX MFT, ImproX PT, ImproX TA or the IXP121 Controller can be extended to a maximum of 10 m (33 ft) using a good quality shielded multi-strand 2-pair twisted cable. The individual conductor cross-sectional area of the cable must not be less than 0.2 mm<sup>2</sup> (0.0003 in<sup>2</sup>).

### Distance between Remote Readers from DIFFERENT Terminals or Controllers

To avoid mutual interference, install the Remote Readers no closer than 500 mm (20 in) apart.

### Mounting the ImproX KR

---

**CAUTION: Make certain that you mount the Remote Reader on a vibration-free surface.**

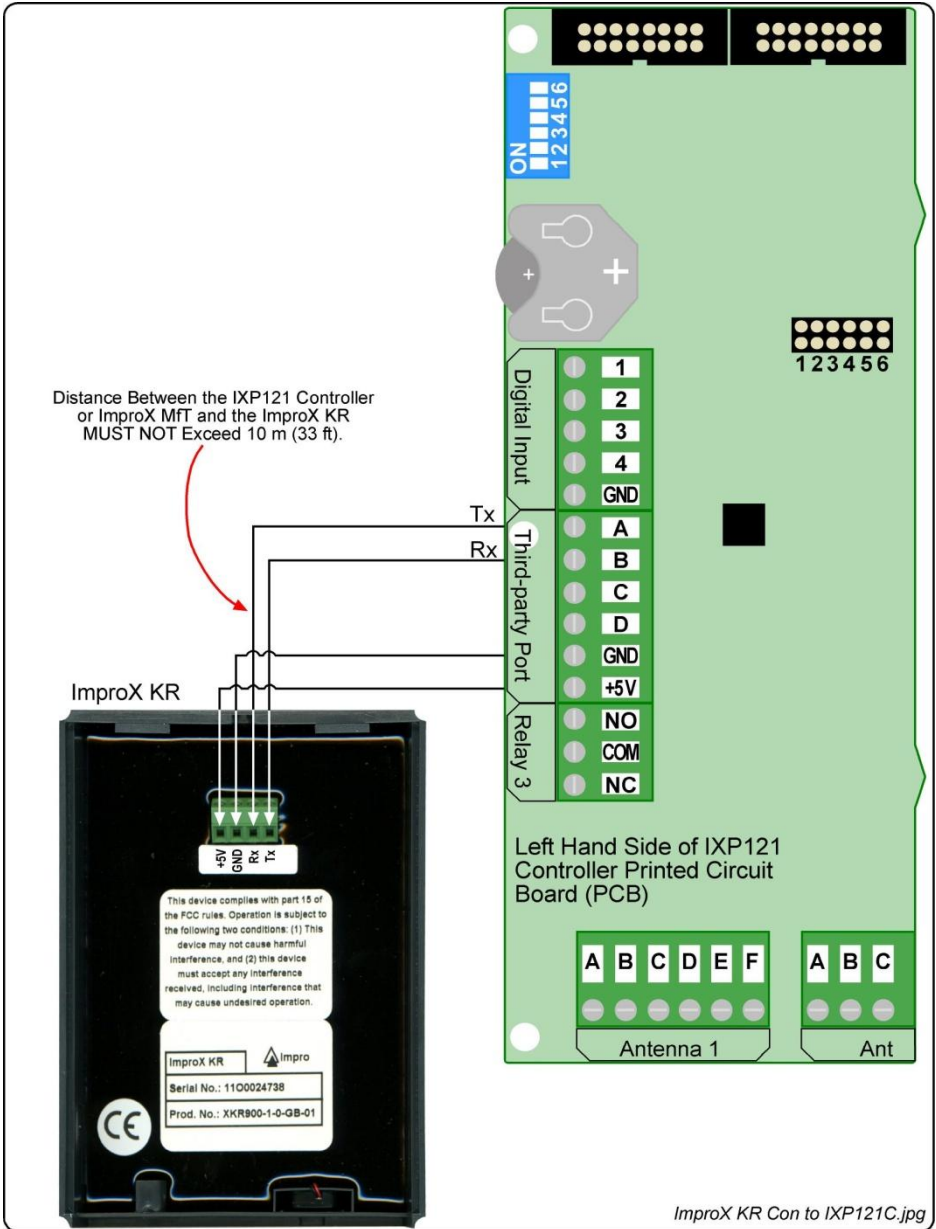
Select the mounting position of the ImproX KR, considering accessibility, routing of wires and visibility of the externally visible LED.

Secure the ImproX KR to the mounting surface, using four suitable screws and wall plugs (supplied), nuts and bolts, rivets or double-sided adhesive tape.

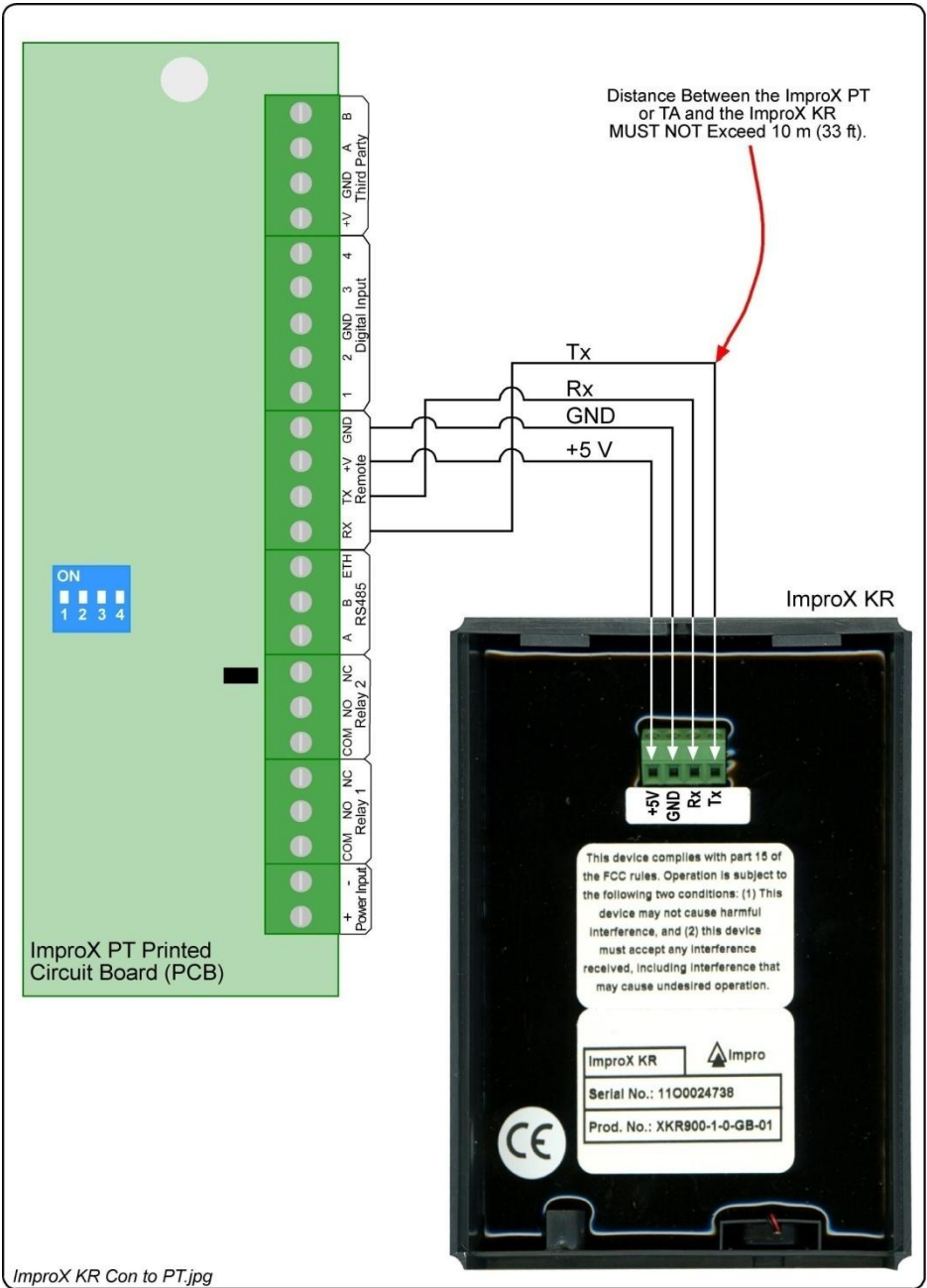
Blank Space

# Connecting the ImproX KR

Figure 1 to Figure 3 shows detailed connection diagrams for the ImproX KR.



**Figure 1: ImproX KR Connected to the IXP121 Controller or ImproX MfT**



**Figure 2: ImproX KR Connected to the ImproX PT or ImproX TA**

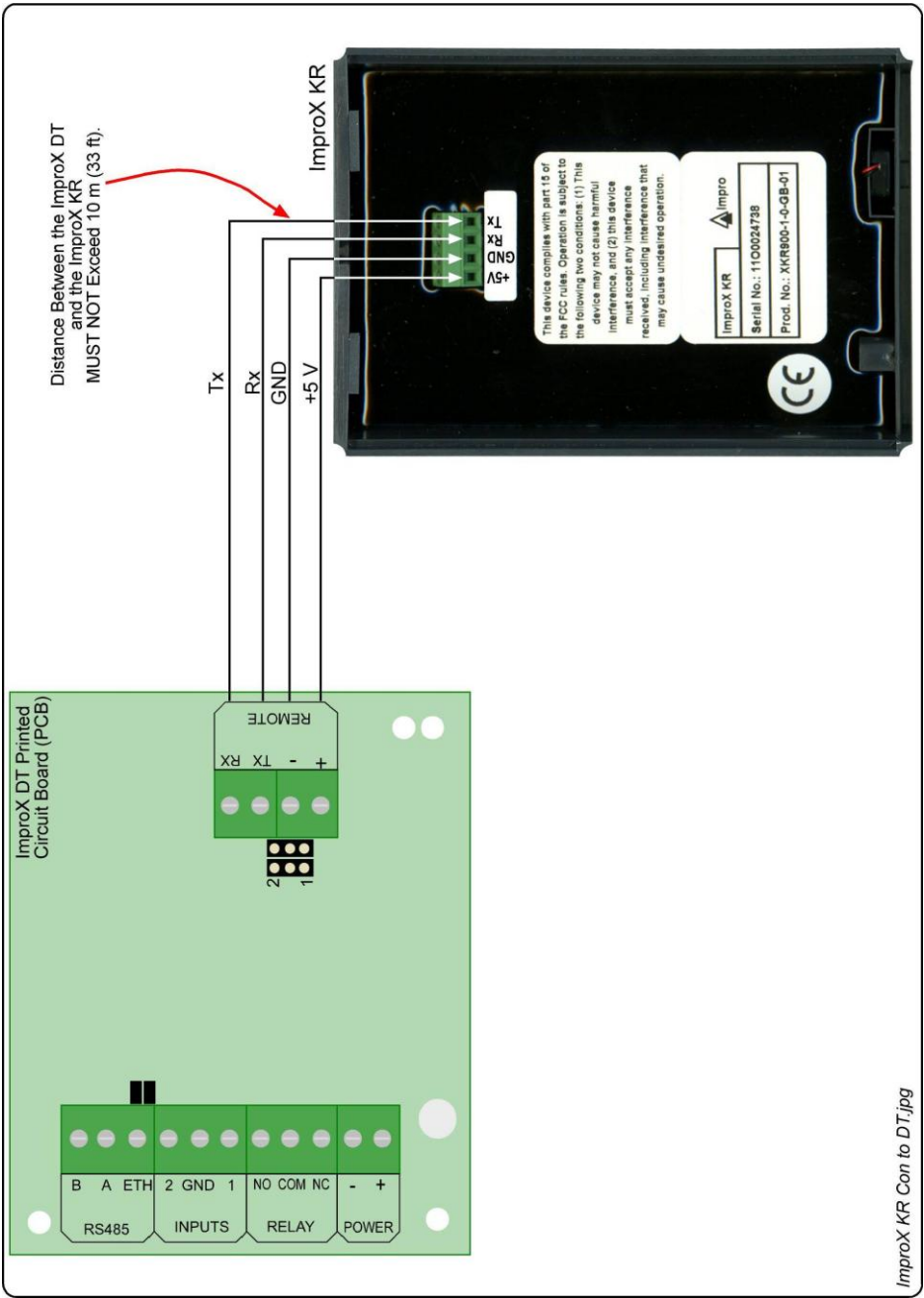


Figure 3: ImproX KR Connected to the ImproX DT

**NOTE:** *On powering up, the Remote Readers Status LED will illuminate solid Red, and the Buzzer will beep twice.*

*The ImproX KR will not read Tags until configured in the Software. Details of these procedures are located in the IXP120, 200 or 300 and 400 Software Manuals.*

## **Serial Number Label**

---

Once the Remote Reader is installed, sketch a rough site plan. The loose Serial Number Label (packaged with the Remote Reader) should be used (paired) in conjunction with the ImproX DT, ImproX Mft, ImproX PT, ImproX TA or the IXP121 Controllers Fixed Address Label.

The Remote Reader does not have its own Fixed Address. When connected to an ImproX DT, ImproX Mft, ImproX PT, ImproX TA or the IXP121 Controller the Remote Reader is assigned one of the available Fixed Addresses.

The Serial Number Label identifies the type of Remote Reader, and the Fixed Address Label (shipped with the ImproX DT, ImproX Mft, ImproX PT, ImproX TA or the IXP121 Controller) identifies the Fixed Addresses. Both these labels should be attached to the site plan to assist in identifying the hardware once an Auto-ID is performed.

## **GUARANTEE OR WARRANTY**

This product conforms to our Guarantee or Warranty details placed on our Web Site, to read further please go to [www.impro.net](http://www.impro.net).

## **USER NOTES**

## USER NOTES



This manual is applicable to the ImproX (KR) Keypad Remote Reader, XKR900-1-0-GB-01. (The last two digits of the Impro stock code indicate the issue status of the product).

XKR303-0-0-GB-07	Issue 08	Dec 2007	ImproX KR\English Manuals\LATEST ISSUE \ImprXKR-inism-en-08.docx
------------------	----------	-------------	---