

MODEL NUMBER: XTT908-1-0-GB-XX

IMPROX DPA

ImproX (DPA) 125 kHz Door Entry Panel Antenna Reader INSTALLATION MANUAL

SPECIFICATIONS

Working Environment	Designed to work in an indoor or outdoor environment similar to IP66. The ImproX DPA is, therefore, sealed (potted) against water.
Buzzer	
Volume and Tone.....	Single tone, 4-step adjustable volume.
Status Indicators	
Status LED.....	Bi-coloured Red or Green.

INSTALLATION INFORMATION

Accessories

Find the following when unpacking the Antenna Reader:

- An ImproX DPA Antenna Reader housed in a Black, ABS Plastic housing. The ImproX DPA includes 8 m (26 ft) of 4-core, 0.5 mm Solid Strand Communications Cable.
- A Piezo-electric, External Drive Buzzer.
- An extra Serial Number Label.

General

Remember the following when installing the Antenna Reader:

Maximum Data Communications Distance

The ideal cable distance between the Terminal, Controller or Receiver and its Antenna Reader ranges between 2 m to 16 m (7 ft to 53 ft). Achieve this by using a good quality shielded multi-strand 3-pair twisted cable. The cross-sectional area of the cable must not be less than 0.2 mm² (0.0003 in²).

Cable Specifications

The cable specifications should be similar to the following:

Conductor Resistance:	< 2 ohms.
Capacitance, Core to Earth:	< 160 pF/m.
Capacitance, Core to Core:	< 100 pF/m.

Distance between Antenna Readers from the SAME Terminal, Controller or Receiver

To avoid mutual interference, install the Antenna Readers no closer than 150 mm (6 in) apart.

Distance between Antenna Readers from DIFFERENT Terminals, Controllers or Receivers

To avoid mutual interference, install the Antenna Readers no closer than 500 mm (20 in) apart.

Mounting in a User Supplied Enclosure

CAUTION: Make certain that you mount the Antenna Reader on a vibration-free surface.

The ImproX DPA is designed for mounting in a user supplied enclosure. Select the mounting position of the ImproX DPA, considering accessibility, routing of wires and visibility of the externally visible Status LED.

The Antenna Reader has 4 mounting holes, drilled to 4 mm in diameter. The mounting holes accommodate M3 bolts and nuts.

Drill a 5 mm diameter hole for the cable.

Blank Space

Connecting the ImproX DPA

Figure 1 to Figure 4 show detailed connection diagrams for the ImproX DPA.

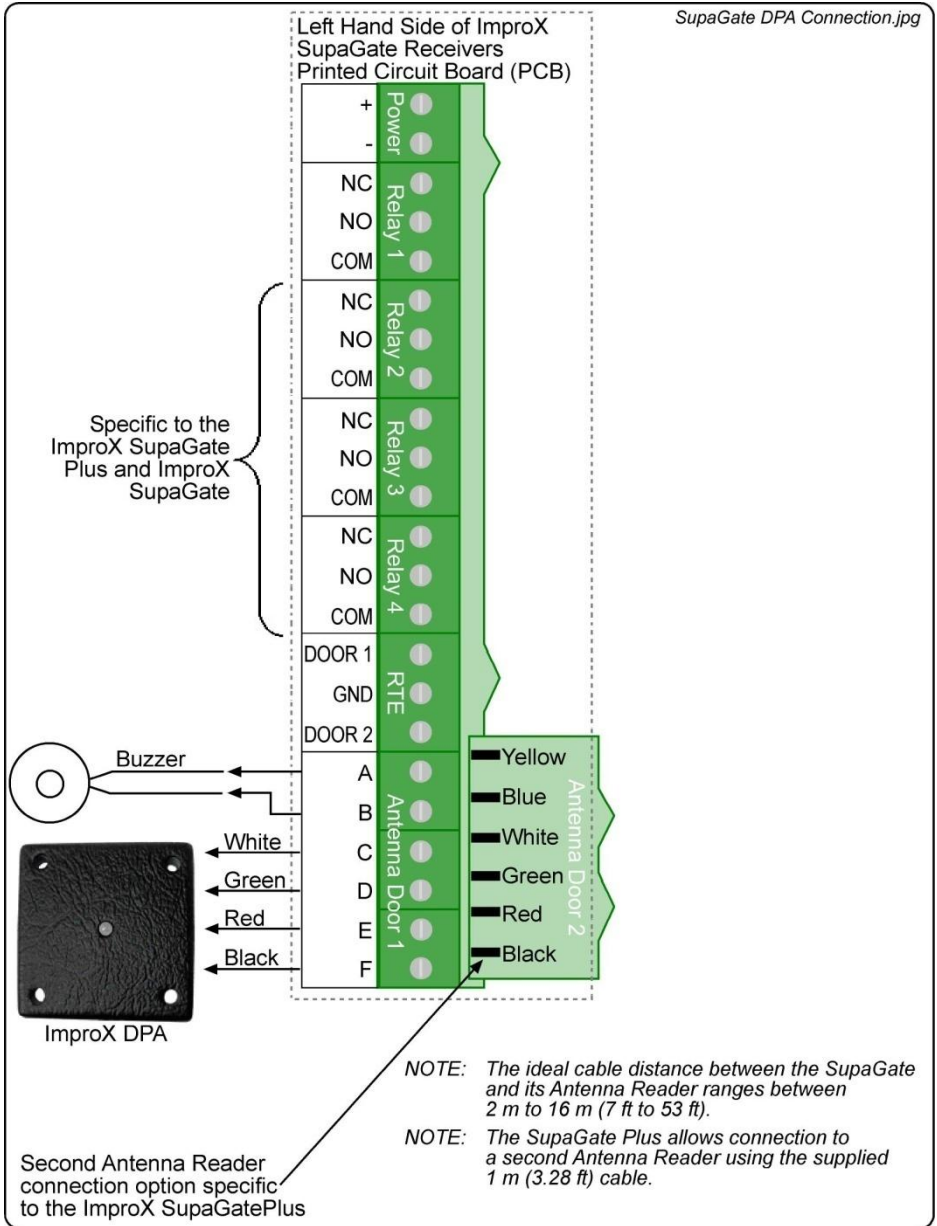


Figure 1: ImproX DPA Connected to the SupaGate Receiver

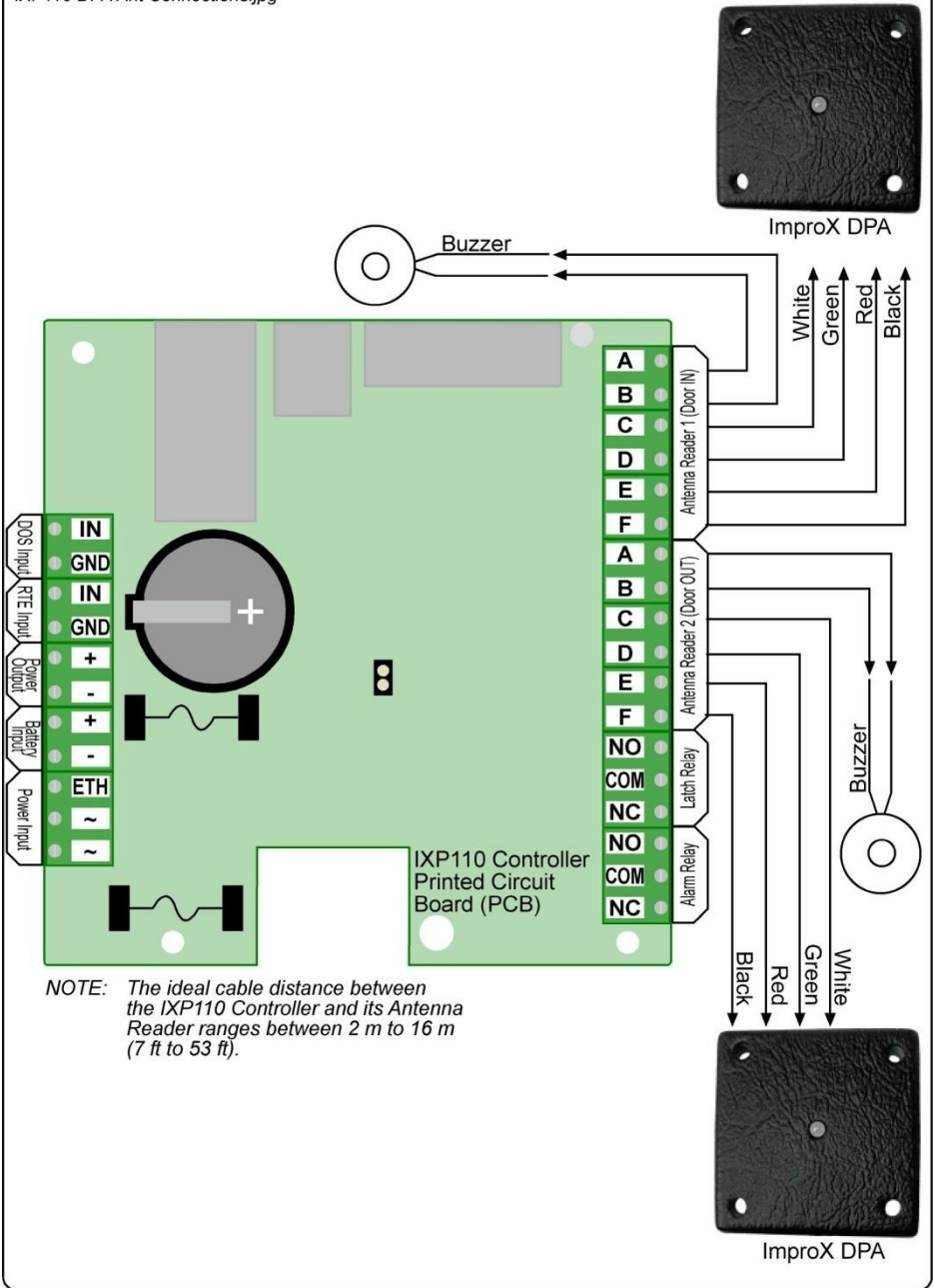


Figure 2: ImproX DPA Connected to the IXP110 Controller

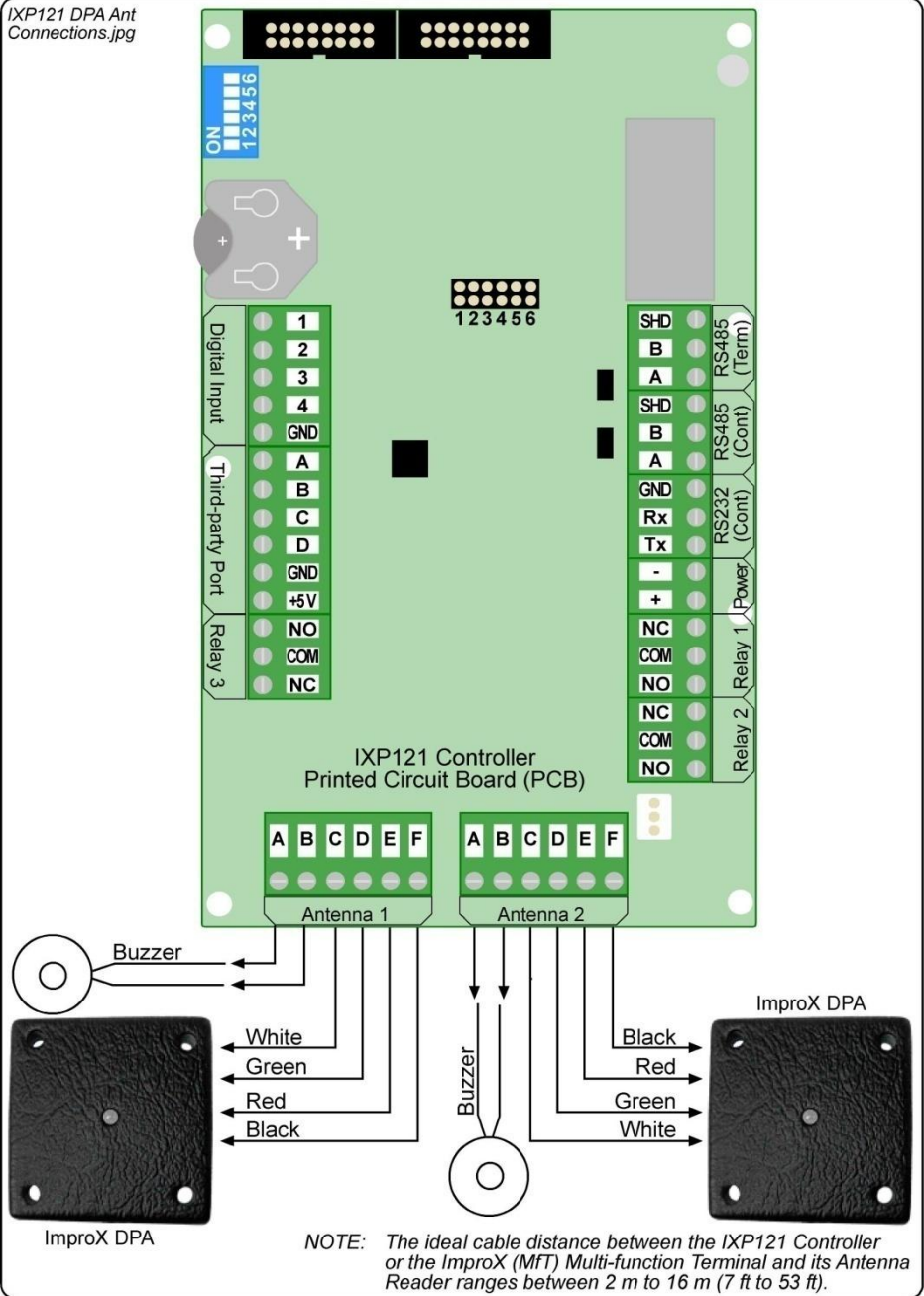
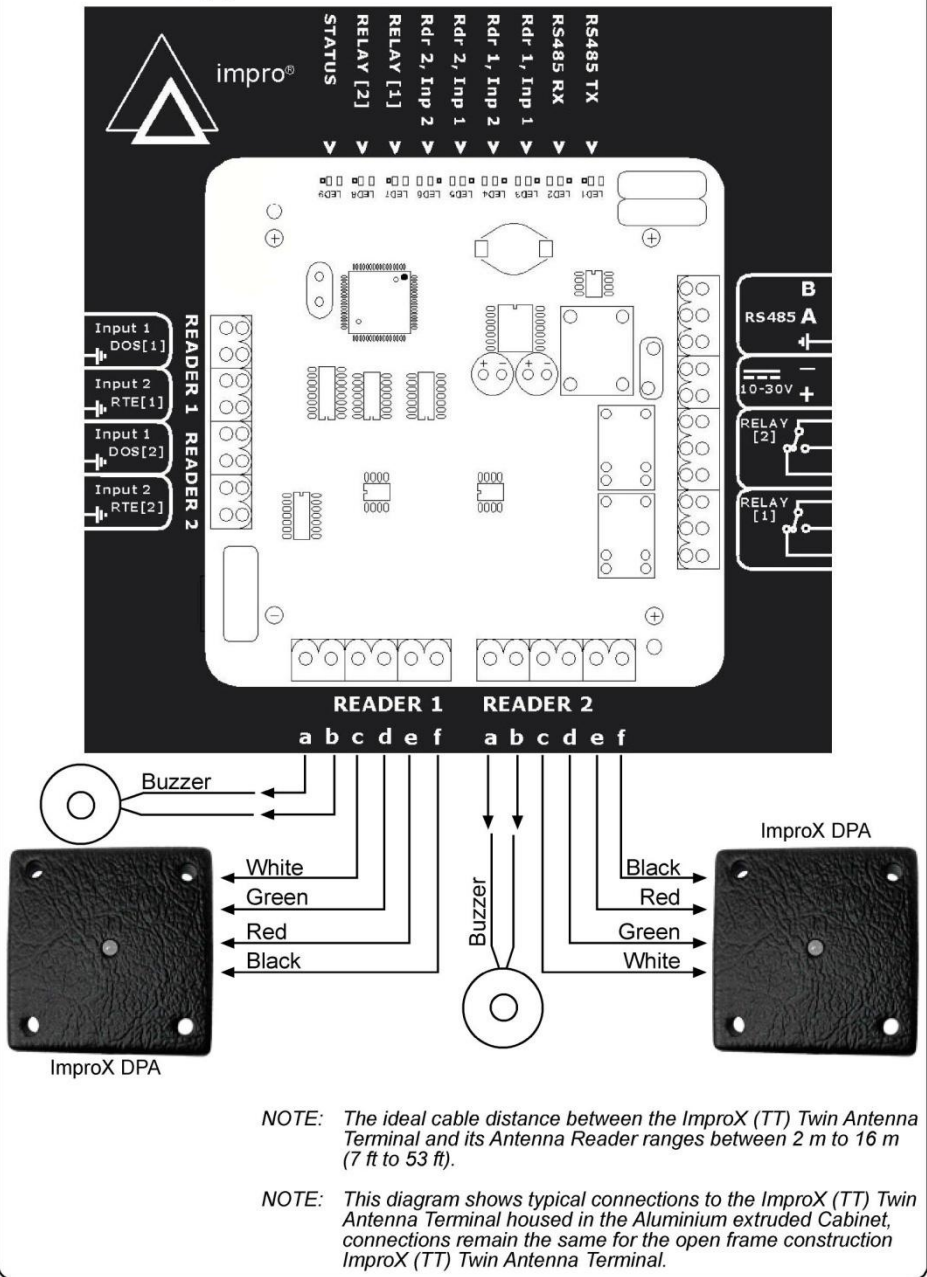


Figure 3: ImproX DPA Connected to the IXP121 Controller or the ImproX MFT



NOTE: The ideal cable distance between the ImproX (TT) Twin Antenna Terminal and its Antenna Reader ranges between 2 m to 16 m (7 ft to 53 ft).

NOTE: This diagram shows typical connections to the ImproX (TT) Twin Antenna Terminal housed in the Aluminium extruded Cabinet, connections remain the same for the open frame construction ImproX (TT) Twin Antenna Terminal.

Figure 4: ImproX DPA Connected to the ImproX TT

NOTE: On powering up, the Antenna Reader's Status LED will illuminate solid Red. The Antenna Reader will not read Tags until configured in the Software.

Serial Number Label

1. Once the Antenna Reader is installed, sketch a rough site plan.
2. Attach the Antenna Reader's loose Serial Number Label and the Controller, Terminal or Receiver's Fixed Address Label, to the sketched site plan in the position of the Antenna Reader.

The Antenna Reader does not have its own Fixed Address. When connected to a Controller, Terminal or Receiver the Antenna Reader is assigned one of the available Fixed Addresses.

The Serial Number Label identifies the type of Antenna Reader, and the Fixed Address Label (shipped with the Controller, Terminal or Receiver) identifies the Fixed Addresses. Both these labels should be attached to the site plan to assist in identifying the hardware once an Auto-ID is performed.

GUARANTEE OR WARRANTY

This product conforms to our Guarantee or Warranty details placed on our Web Site, to read further please go to www.impro.net.

USER NOTES



This manual is applicable to the ImproX (DPA) 125kHz Door Entry Panel Antenna Reader, XTT908-1-0-GB-01. (The last two digits of the Impro stock code indicate the issue status of the product).

XTT316-0-0-GB-08

Issue 09

Dec
2007

ImproX DPA\English Manuals\LATEST ISSUE
\\mprXDPA-inism-en-09.docx