

ACC ES HD Recorder



Avigilon™ Control Center (ACC) is the industry's easiest-to-use video management software, and has revolutionized how security professionals manage and interact with high definition video. As a distributed network platform with enterprise-class reliability, Avigilon Control Center is able to efficiently capture, manage and store high definition surveillance video while intelligently managing bandwidth and storage.

The ACC Edge Solution (ES) HD Recorder is an innovative addition to the ACC solution, enabling you to intelligently record locally, monitor centrally and manage remotely.

VIDEO RECORDER



The ACC ES HD Recorder is equipped with ACC and features four Power over Ethernet (PoE) network ports that support Avigilon's full range of high definition cameras from 1 megapixel (MP) to 7K (30 MP) resolution. It is available in 2 terabyte (TB) and 4 TB storage models. Multiple appliances can be combined as a single logical site to support larger installations.

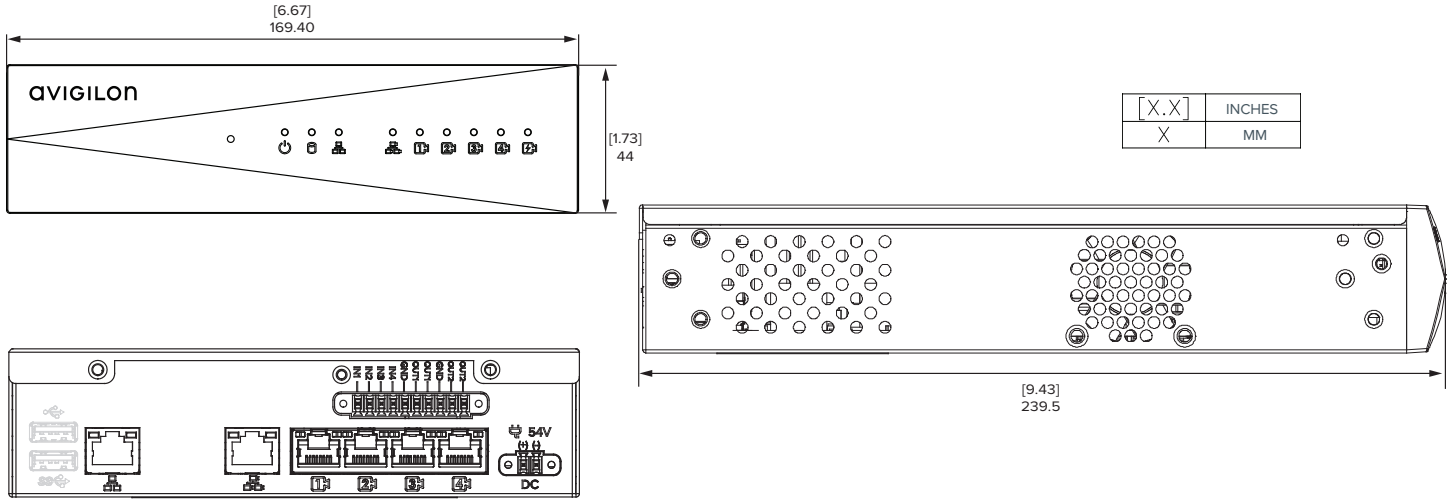
By offering intelligent monitoring deployed at the network edge, the ability to store high amounts of HD video data remotely, and the ability to view live or recorded video from long distances upon demand, the ACC ES HD Recorder is ideal for centralized monitoring of critical infrastructure locations such as upstream oil and gas pipelines, power substations, telecommunications towers and important city areas.

KEY FEATURES

- Configured with Avigilon™ Control Center High Definition Network Video Management
- Uses Avigilon's industry leading High Definition Stream Management (HDSM)™ technology
- Network Video Recorder plus integrated switch with high powered PoE output
- Records up to 80 Mbps of image data
- Up to 30 images per second per camera channel
- Supports HD cameras with self-learning analytics
- Supports up to 7K (30 MP) camera resolution
- Web based management interface that facilitates remote firmware upgrades



Outline Dimensions



Specifications

SYSTEM	Recording Rate	80 Mbps								
	Stream Out Rate	50 Mbps								
	Camera Channels	4								
	Recording Image Rate	Up to 30 images per second per channel								
	PoE Ports	4 x 10/100 (IEEE 802.3at) — supports PoE+ on a per port basis								
	Total PoE Output	61.6 W								
	Uplink	2 x 10/100/1000 Mbps RJ-45								
	External I/O Terminals	4 Digital Inputs and 2 Relay Outputs (to be enabled with firmware update)								
	MECHANICAL	Dimensions (LxWxH)	239.5 mm x 169.4 mm x 44 mm; 9.43" x 6.67" x 1.73"							
Weight		3.39 kg (including power supply, mounting bracket and all packaging)								
ELECTRICAL	Power Input	54 V, 1.67 A								
	Power Supply	Single non-redundant								
	Power Consumption	20 W min.; 90 W max.								
ENVIRONMENTAL	Operating Temperature	0°C to 50°C (32°F to 122°F)								
	Storage Temperature	-40° C to 70° C (-40° F to 158° F)								
	Humidity	10 - 90% Relative humidity (non-condensing)								
CERTIFICATIONS	Directives	UL	cUL	CE	RoHS	WEEE	RCM	EAC	NOM	
	Safety	UL 60950-1			CSA 60950-1			IEC/EN 60950-1		
	Electromagnetic Emissions	FCC Part 15 Subpart B Class B		IC ICES-003 Class B	EN 55022 Class B	EN 55011	EN 61000-6-3	EN 61000-3-2	EN 61000-3-3	
	Electromagnetic Immunity	EN 55024		EN 61000-6-1						
SUPPORTED ACC FEATURES	System	<ul style="list-style-type: none"> 4 cameras / device Site support for up to 24 servers, 500 cameras and 100 defined users 			<ul style="list-style-type: none"> 5 client connections / device 					
	Device Support	<ul style="list-style-type: none"> Automatic device discovery Avigilon HD H.264 cameras & encoders (up to 4) 			<ul style="list-style-type: none"> Avigilon HD H.264 Pro cameras (up to 2) ONVIF cameras & encoders 					
	Client	<ul style="list-style-type: none"> Saved Views Maps Web pages 			<ul style="list-style-type: none"> Editable Site View Intelligent Virtual Matrix Collaborative investigations 					
	Recording, Searching and Playback	<ul style="list-style-type: none"> Hourly configurable recording schedule Lossless recording Pixel search Live export 			<ul style="list-style-type: none"> Thumbnail search Event search Alarm search Multi-camera export 					
	Integrations	Third-party managed system integrations								
	Additional Features	<ul style="list-style-type: none"> Email event notification Digital input email trigger Manual digital output trigger Audio recording and talkdown 			<ul style="list-style-type: none"> Unlimited rule triggers Redundant recording Failover connections Alarm escalation 					
ORDERING INFORMATION	VMA-RPO-4P2	2.0 TB storage, 4 Port ACC ES HD Recorder								
	VMA-RPO-4P4	4.0 TB storage, 4 Port ACC ES HD Recorder								
	ENC-4P-H264	4-Port H.264 Video Encoder with 4 Audio Inputs and 4 Audio Outputs								

