

HD Bullet Camera with Adaptive Video Analytics

AVIGILON

Avigilon's end-to-end surveillance solutions deliver image detail no other system can match. Avigilon™ Control Center software, featuring High Definition Stream Management (HDSM)™ technology combined with our broad range of megapixel cameras (from 1 MP to 29 MP) provide unprecedented clarity—while effectively managing storage and bandwidth requirements. Our components are scalable and can work together in an end-to-end system, or can be customized to create your own powerful and cost-effective solution.

The innovative HD Bullet camera is just one way Avigilon can help provide the very best monitoring and protection.



The HD Bullet camera with adaptive video analytics brings together Avigilon's world renowned camera technology with video analytics. The combination of instant and accurate object detection and classification alerts, with the identification performance of high-definition video, provides users with an unmatched level of perimeter protection to keep both personnel and assets safe. Equipped with built-in adaptive infrared (IR) illumination, our HD Bullet cameras increase in-the-dark detection and visibility without using a visible light source.

KEY FEATURES

Advanced video pattern detection analytics
Available with 3-9 mm or 9-22 mm P-Iris lens with remote focus and zoom
Up to 30 images per second
Wide Dynamic Range
SD card slot for onboard storage support
Integrated IR (Infrared) LEDs provide uniform illumination in the dark, even at 0 lux, up to maximum of 200 ft (60 m) away
Zoom and content adaptive IR provides the most effective illumination at all zoom positions, while maintaining optimum scene illumination
PoE (Power over Ethernet) enables operating temperatures of -40°C to 50°C (-40°F to 122°F) with no auxiliary power required.
Additional configuration Ethernet port for easy installation
Vandal resistant construction and IP66 compliant
ONVIF compliant with version 2.2.0 of the Analytics Service Specification

Specifications

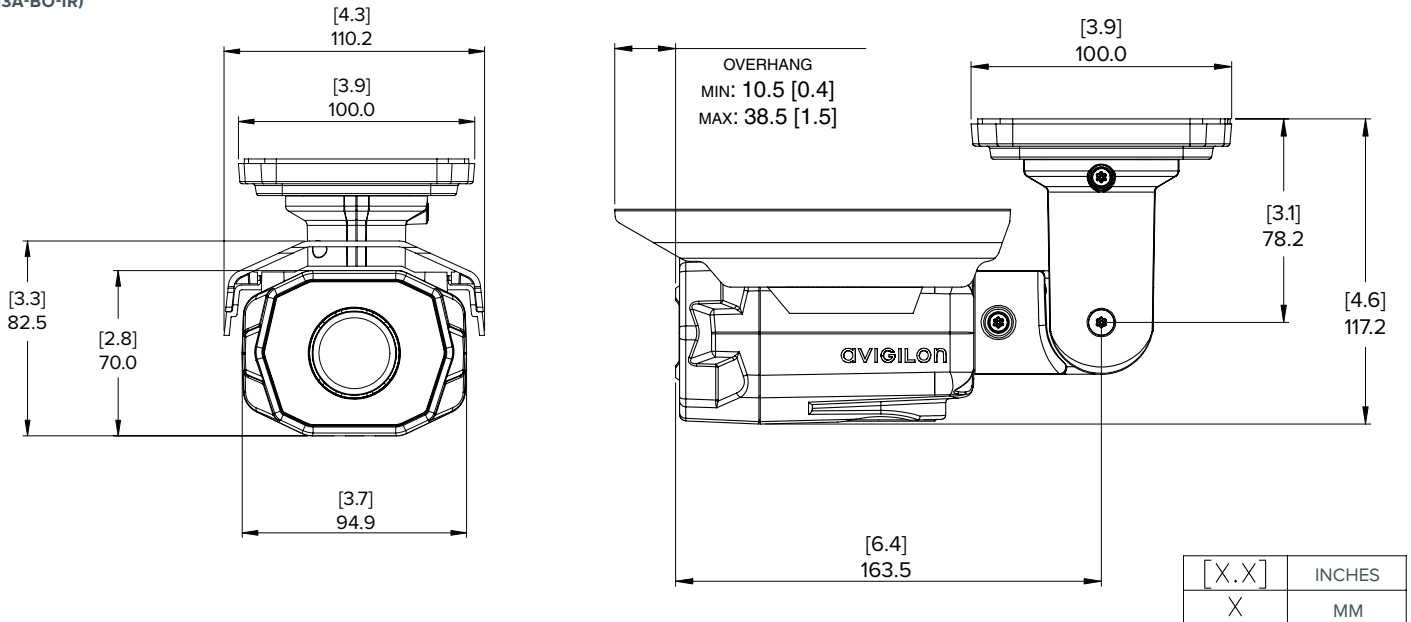
HD VIDEO ANALYTICS CAMERA

VIDEO ANALYTICS SUPPORT	Advanced Video Pattern Detection									
VIDEO ANALYTICS RULES	People or vehicle moving in an area		People or vehicle crossing a beam			People or vehicle loitering in an area				
	Person or vehicle stopped		Dwell time			Person or vehicle enters/leaves an area				
	Person or vehicle moving in a prohibited direction of travel		Too many or too few persons in a secured area							
IMAGE PERFORMANCE		1.0 MP		2.0 MP		3.0 MP				
	Image Sensor	WDR 1/3" progressive scan CMOS								
	Active Pixels	1280 (H) x 720 (V)		1920 (H) x 1080 (V)		2048 (H) x 1536 (V)				
	Imaging Area	4.2 mm (H) x 2.4 mm (V); 0.165"(H) x 0.094"(V)				4.5 mm (H) x 3.4 mm (V); 0.177" (H) x 0.133" (V)				
	Illuminator Technology	High-power IR LEDs								
	IR Illumination	3-9 mm lens:	850 nm wavelength, 30 m (100 ft) max. distance of IR illumination at 0 lux with auxiliary power or PoE							
		9-22 mm lens:	850 nm wavelength, 60 m (200 ft) max. distance of IR illumination at 0 lux with auxiliary power or PoE							
	Minimum Illumination	3-9 mm lens:	0.2 lux (F1.2) in color mode; 0 lux in monochrome mode with IR							
		9-22 mm lens:	0.4 lux (F1.6) in color mode; 0 lux in monochrome mode with IR							
	Dynamic Range	100 dB								
	Image Rate	30 fps (all resolutions)				20 fps (at full resolution); 30 fps (at 1920 x 1080 or smaller)				
LENS	Lens	3-9 mm, F1.2, P-Iris, remote focus and zoom								
		9-22 mm, F1.6, P-Iris, remote focus and zoom								
	Angle of View									
		3-9 mm lens:	26° - 79°			28° - 84°				
	9-22 mm lens:	11° - 26°			11° - 28°					
IMAGE CONTROL	Image Compression Method	H.264 (MPEG-4 Part 10/AVC), Motion JPEG								
	Streaming	Multi-stream H.264 and Motion JPEG								
	Motion Detection	Pixel and classified objects								
	Camera Tampering Detection	Yes								
	Electronic Shutter Control	Automatic, Manual (1/6 to 1/8000 sec)								
	Iris Control	Automatic, Manual								
	Day/Night Control	Automatic, Manual								
	Flicker Control	50 Hz, 60 Hz								
	White Balance	Automatic, Manual								
	Backlight Compensation	Adjustable								
	Privacy Zones	Up to 64 zones								
	Audio Compression Method	G.711 PCM 8 kHz								
	Audio Input/Output	Line level input and output								
	External I/O Terminals	Alarm In, Alarm Out								
NETWORK	Network	100BASE-TX								
	Cabling Type	CAT5								
	Connector	RJ-45								
	ONVIF	ONVIF compliant with version 1.02, 2.00, Profile S and 2.2.0 of the Analytics Service Specification (*bounding boxes and scene descriptions not available with third-party VMS)								
	Security	Password protection, HTTPS encryption, digest authentication, WS authentication, user access log, 802.1x port based authentication								
	Protocol	IPv4, HTTP, HTTPS, SOAP, DNS, NTP, RTSP, RTCP, RTP, TCP,UDP, IGMP, ICMP, DHCP, Zeroconf, ARP								
	Streaming Protocols	RTP/UDP, RTP/UDP multicast, RTP/RTSP/TCP, RTP/RTSP/HTTP/TCP, RTP/RTSP/HTTPS/TCP, HTTP								
	MECHANICAL	Dimensions (LxWxH)	241.7 mm x 94.9 mm x 70 mm; 9.5" x 3.7" x 2.8"							
Weight		115 kg (2.5 lbs)								
Body		Aluminum								
Housing		Surface mount, tamper resistant								
Finish		Powder coat, cool gray 2								
Adjustment Range		±175° pan, -45° to +90° tilt, ±175° azimuth								
Onboard Storage		SD/SDHC/SDXC slot – minimum class 4; class 6 or better recommended								
ELECTRICAL	Power Consumption	22 W with external power or IEEE802.3at Class 4 PoE Plus			12.95 W with IEEE 802.3af Class PoE					
	Power Source	VDC: 12 V +/- 10%, 22 W min	VAC: 24 V +/- 10%, 28 VA min		PoE: IEEE802.3af Class 3 compliant		PoE+: IEEE802.3at Class 4 PoE Plus			
ENVIRONMENTAL	Operating Temperature	-40 °C to +50 °C (-40 °F to 122 °F)								
	Storage Temperature	-40 °C to +70 °C (-40 °F to 158 °F)								
CERTIFICATIONS	Safety	UL 60950	CSA 60950	CB Scheme	UVV	CE	ROHS	WEEE	C-Tick	
	Environmental	IK10 Impact Rating			Meets IP66 Weather Rating					
	Electromagnetic Emissions	FCC Part 15 Subpart B Class B			IC ICES-003 Class B		EN 55022 Class B			
	Electromagnetic Immunity	EN 55024	EN 61000-4-2	EN 61000-4-3	EN 61000-4-4	EN 61000-4-5	EN 61000-4-6	EN 61000-4-11		

Outline Dimensions

HD Bullet Camera

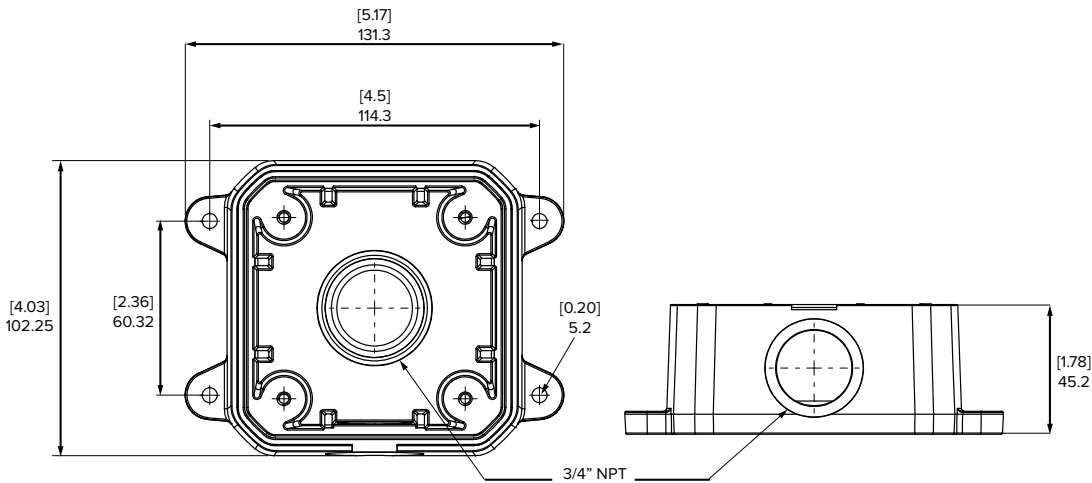
(H3A-BO-IR)



HD VIDEO ANALYTICS CAMERA

HD Bullet Camera Junction Box

(H3-BO-JB)



Ordering Information

1.0W-H3A-BO1-IR	1.0 Megapixel WDR 3-9 mm HD Bullet Camera with Adaptive Video Analytics
1.0W-H3A-BO2-IR	1.0 Megapixel WDR 9-22 mm HD Bullet Camera with Adaptive Video Analytics
2.0W-H3A-BO1-IR	2.0 Megapixel WDR 3-9mm HD Bullet Camera with Adaptive Video Analytics
2.0W-H3A-BO2-IR	2.0 Megapixel WDR 9-22 mm HD Bullet Camera with Adaptive Video Analytics
3.0W-H3A-BO1-IR	3.0 Megapixel WDR 3-9 mm HD Bullet Camera with Adaptive Video Analytics
3.0W-H3A-BO2-IR	3.0 Megapixel WDR 9-22 mm HD Bullet Camera with Adaptive Video Analytics
H3-BO-JB	Junction box for the H3-BO-IR HD Bullet Cameras
MNT-AD-POLE-B	Aluminum pole mounting bracket for dome cameras using Pendant Mount Brackets and HD Bullet Cameras
MNT-AD-CORNER	Aluminum corner mounting bracket for dome cameras using Pendant Mount Brackets and HD Bullet Cameras