

6K and 7K HD Pro Cameras with LightCatcher™ Technology

AVIGILON

Avigilon offers the broadest range of high definition cameras in the industry – from 1 – 5 MP and 4 – 7K (based on horizontal resolution) – and are available in a variety of formats, including dome, panoramic and fixed. Whether it's a small storefront that requires a few cameras or a large complex system requiring complete coverage of numerous areas, you can trust that you're getting the best solution for your security needs.

The innovative HD Pro camera is just one way Avigilon can help provide the very best monitoring and protection.



The new Avigilon 6K and 7K HD Pro cameras capture best-in-class image details over vast areas, providing maximum coverage options. These are our most powerful and innovative high definition cameras yet.

Avigilon's 7K HD Pro camera is the security industry's first single-sensor 7K (30 megapixel) camera. It delivers stunning image detail, simultaneously providing maximum scene coverage while minimizing bandwidth and storage consumption through our patented High Definition Stream Management™ (HDSM) technology. HDSM technology drastically reduces server-client bandwidth requirements and makes optimal use of client computing resources, enabling greater scalability and increased camera resolution.

KEY FEATURES

Progressive scan CMOS sensor

Avigilon's LightCatcher™ technology provides unsurpassed image quality in low light environments

Patented High Definition Stream Management (HDSM)™ technology

H.264 and Motion JPEG compression (Motion JPEG compression up to 3840 x 2160)

Up to 8 images per second

70 dB true dynamic range

SD card slot for onboard storage support

Compatible with a wide selection of EF mount lenses

Power over Ethernet, 24 VAC or 12 VDC power input

External I/O and RS-485 interface

Specifications

H.264 HD PRO CAMERA

IMAGE PERFORMANCE

| | 6K (24 MP) | | 7K (30 MP) | |
|----------------------|--|---|---|---|
| Image Sensor | 43.3 mm (Type 2.7) progressive scan CMOS | | | |
| Aspect Ratio | 16:9 | 3:2 | 16:9 | 3:2 |
| Active Pixels | 6016(H) x 3384(V) | 6016 (H) x 4008 (V) | 7360 (H) x 4128 (V) | 6720 (H) x 4488(V) |
| Imaging Area | 35.9 mm (H) x 20.2 mm (V); 1.41" (H) x 0.80"(V) | 35.9 mm (H) x 23.9 mm (V); 1.41" (H) x 0.94" (V) | 35.9 mm (H) x 20.1 mm (V); 1.41" (H) x 0.79" (V) | 35.9 mm (H) x 22 mm (V); 1.41" (H) x 0.87" (V) |
| Minimum Illumination | 0.005 lux (at F1.4) | | | |
| Dynamic Range | 70 dB | | | |
| Resolution Scaling | 3840 x 2160 | | | |
| Image Rate | 8 fps | 7 fps | 6 fps | 5 fps |

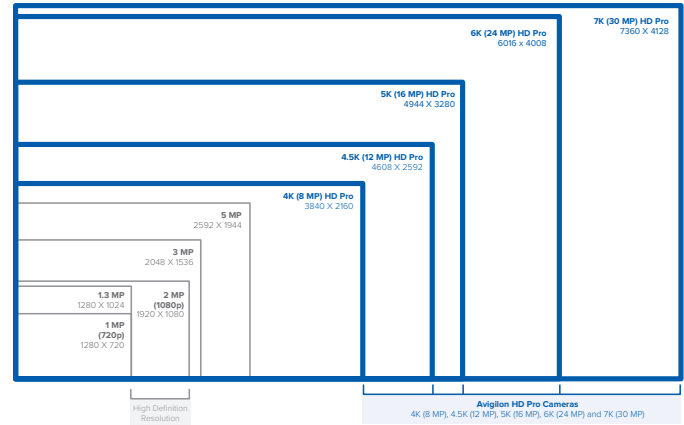
LENS

| | |
|------------|------------------------|
| Lens Mount | EF (SLR-style bayonet) |
|------------|------------------------|

IMAGE CONTROL

| | |
|----------------------------|---|
| Image Compression Method | H.264 (MPEG-4 Part 10/AVC), Motion JPEG |
| Streaming | Multi-stream H.264 and Motion JPEG |
| Motion Detection | Selectable sensitivity and threshold |
| Electronic Shutter Control | Automatic, Manual (1 to 1/8000 sec) |
| Iris Control | * Automatic, Manual |
| Day/Night Control | * Automatic, Manual |
| Flicker Control | 50 Hz, 60 Hz |
| White Balance | Automatic, Manual |
| Privacy Zones | Up to 4 zones |
| Audio Compression Method | G.711 PCM 8 kHz |
| Audio Input/Output | Line level input and output, A/V mini-jack (3.5 mm) |
| External I/O Terminals | Alarm In, Alarm Out |

*Dependent on selected lens capability



NETWORK

| | |
|---------------------|--|
| Network | 100BASE-TX |
| Cabling Type | CAT5 |
| Connector | RJ-45 |
| Security | Password protection, HTTPS encryption, digest authentication, WS authentication, user access log, 802.1x port based authentication |
| Protocol | IPv4, HTTP, HTTPS, SOAP, DNS, NTP, RTSP, RTCP, RTP, TCP/UDP, IGMP, ICMP, DHCP, Zeroconf, ARP |
| Streaming Protocols | RTP/UDP, RTP/UDP multicast, RTP/RTSP/TCP, RTP/RTSP/HTTP/TCP, RTP/RTSP/HTTPS/TCP, HTTP |

MECHANICAL

| | |
|------------------------|---|
| Dimensions (L x W x H) | 109 mm x 73 mm x 68 mm; 4.3" x 2.9" x 2.7" |
| Weight | 0.39 kg (0.85 lb) |
| Camera Mount | 1/4"-20 UNC (top and bottom) |
| Onboard Storage | SD/SDHC/SDXC slot - minimum class 6; class 10 & 64 GB or better recommended |

ELECTRICAL

| | | | |
|--------------------|-------------------------|----------------------------|------------------------------------|
| Power Consumption | 13 W | | |
| Power Source | VDC: 12 V +/- 10%, 13 W | VAC: 24 V +/- 10%, 18.4 VA | PoE: IEEE802.3af Class 3 compliant |
| RTC Backup Battery | 3V Manganese Lithium | | |

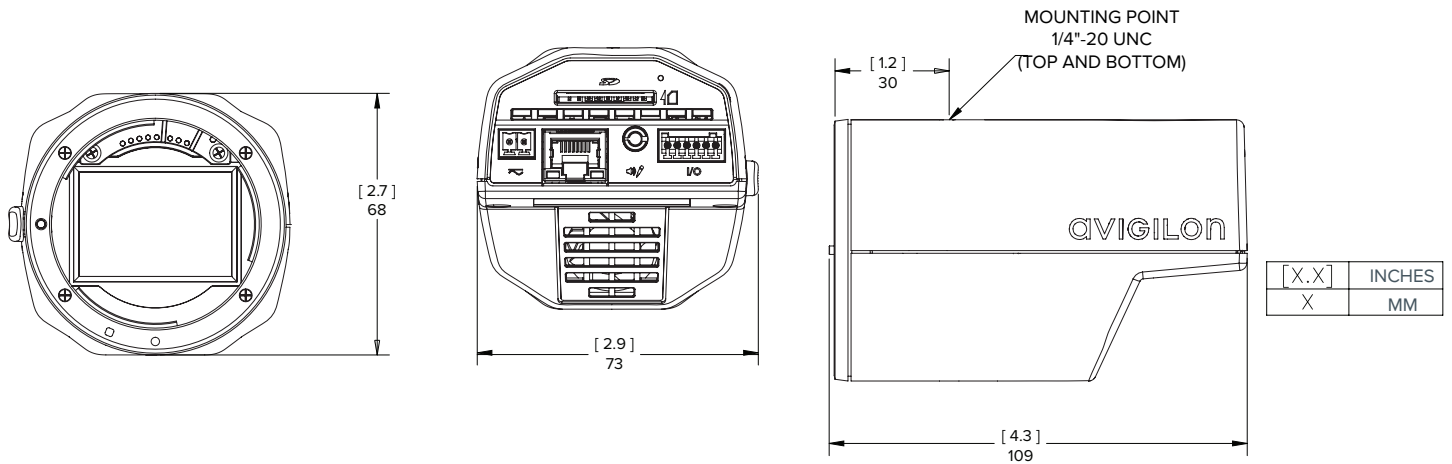
ENVIRONMENTAL

| | |
|-----------------------|------------------------------------|
| Operating Temperature | -10 °C to +50 °C (14 °F to 122 °F) |
| Storage Temperature | -10 °C to +70 °C (14 °F to 158 °F) |
| Humidity | 0 - 95% non-condensing |

CERTIFICATIONS

| | | | | | | |
|---------------------------|-------------------------------|---------------------|--------------|------------------|----------------|--------------|
| Certifications | UL | cUL | CE | ROHS | WEEE | RCM |
| Safety | UL 60950-1 | | CSA 60950-1 | | IEC/EN 60950-1 | |
| Electromagnetic Emissions | FCC Part 15 Subpart B Class B | IC ICES-003 Class B | | EN 55022 Class B | EN 61000-6-3 | EN 61000-3-2 |
| Electromagnetic Immunity | EN 55024 | | EN 61000-6-1 | | | |

Outline Dimensions



H.264 HD PRO CAMERA

Ordering Information

| | |
|-------------|--|
| 24L-H4PRO-B | 6K (24 MP) H.264 HD Pro Camera with LightCatcher™ technology |
| 30L-H4PRO-B | 7K (30 MP) H.264 HD Pro Camera with LightCatcher™ technology |

| Lens: | Model | Description |
|-------|----------------|---|
| | LEF2414CA | Canon 24mm f1.4L, Auto-Iris |
| | LEF2818CA | Canon 28mm f1.8, Auto-Iris |
| | LEF3514CA | Canon 35mm f1.4L, Auto-Iris |
| | *LEF3520CA | Canon 35mm f2.0, Auto-Iris |
| | LEF4028CA | Canon 40mm f2.8, Auto-Iris |
| | *LEF5012CA | Canon 50mm f1.2L, Auto-Iris |
| | LEF5014CA | Canon 50mm f1.4, Auto-Iris |
| | LEF5018CA | Canon 50mm f1.8, Auto-Iris |
| | LEF8512CA | Canon 85mm f1.2L, Auto-Iris |
| | LEF8518CA | Canon 85mm f1.8, Auto-Iris |
| | LEF10020CA | Canon 100mm f2.0, Auto-Iris |
| | LEF20028CA | Canon 200mm f2.8L, Auto-Iris |
| | *LEF163528CA | Canon 16-35mm f2.8L, Auto-Iris, Vari Focal |
| | LEF247028TA | Tamron 24-70mm f2.8, Auto-Iris, Vari Focal, with Vibration Control |
| | LEF7020028CA | Canon 70-200mm f2.8L, Auto-Iris, Vari Focal |
| | LEF7030040CA | Canon 70-300mm f4-5.6 IS, Auto-Iris, Vari Focal, with image stabilization |
| | *LEF10040045CA | Canon 100-400mm f4.5-5.6L IS, Auto-Iris, Vari Focal, with image stabilization |

*Lenses require AUX power.

| Enclosures: | Model | Description |
|-------------|--------------|---|
| | ES-HD-HWS-SM | Outdoor HD Small Enclosure with Heater |
| | ES-HD-HWS | Outdoor HD Enclosure with Heater |
| | ES-HD-CWS | Outdoor HD Enclosure with Cooling Fan |
| | ES-HD-HWS-LG | Outdoor HD Large Enclosure with Heater |
| | ES-HD-CWS-LG | Outdoor HD Large Enclosure with Cooling Fan |
| | ES-HD-HS-XL | Outdoor HD X-Large Enclosure |
| | ES-HD-IPM | Outdoor HD Enclosure PoE Module |