

# 16 Megapixel JPEG2000 Monochrome HD Pro Camera



Avigilon's end-to-end surveillance solutions deliver image detail no other system can match. Avigilon Control Center software, featuring High-Definition Stream Management™ (HDSM™) technology combined with our broad range of megapixel cameras (from 1 MP to 29 MP) provide unprecedented clarity—while effectively managing storage and bandwidth requirements. Our components are scalable and can work together in an end-to-end system, or can be customized to create your own powerful and cost-effective solution.

The innovative HD Pro camera is just one way Avigilon can help provide the very best monitoring and protection.



JPEG2000 HD Pro cameras start at 8 MP and go all the way up to an industry-leading 29 MP — using E/EF mount lenses for the best optical quality and remote focus. These cameras are mainly used for covering vast areas in high detail, making them effective for monitoring logistics and the movement of goods, as well as stadiums, ports, transportation, critical infrastructure, and municipal grounds and buildings.

## KEY FEATURES

- 16 megapixel progressive scan CCD sensor
- 3 images per second at full resolution and 7 images per second at 4864 x 480
- 65 db true dynamic range
- 0.01 lux minimum illumination
- 35 mm diagonal image sensor
- Lossless JPEG2000 compression
- Unsurpassed image quality
- Automatic exposure control and iris control
- Software focus control
- Compatible with a wide selection of Canon® EF mount lenses
- Power over Ethernet, 24 VAC or 12 VDC power input
- External I/O and RS-485 interface

# Specifications

| CAMERA                     |  |
|----------------------------|--|
| Image Sensor               | 35 mm progressive scan interline transfer CCD      |
| Active Pixels              | 4864 (H) x 3248 (V)                                |
| Imaging Area               | 36.1 mm (H) x 24.0 mm (V); 1.422" (H) x 0.946" (V) |
| Minimum Illumination       | 0.01 lux (at F1.4)                                 |
| Dynamic Range              | 65 dB  |
| Lens Mount                 | EF (SLR-style bayonet)                             |
| Image Compression Method   | JPEG2000   |
| Image Rate                 | 3 (at full resolution); 7 (at 4864 x 480)          |
| Resolution Windowing       | Down to 640 x 480 Window                           |
| Motion Detection           | Selectable sensitivity and threshold               |
| Electronic Shutter Control | Automatic, Manual (2 to 1/60000 sec)               |
| Iris Control               | Automatic, Manual                                  |
| Focus Control              | Motorized, Manual                                  |
| Flicker Control            | 50 Hz, 60 Hz                                       |
| White Balance              | Automatic, Manual                                  |
| Backlight Compensation     | Automatic  |
| Privacy Zones              | Up to 4 zones                                      |
| External I/O Terminals     | Alarm In, Alarm Out, RS-485                        |

| NETWORK      |                                |
|--------------|--------------------------------|
| Network      | 100BASE-TX                     |
| Cabling Type | CAT5                           |
| Connector    | RJ-45                          |
| Security     | SSL                            |
| Protocol     | UDP, TCP, SOAP, DHCP, Zeroconf |

| MECHANICAL         |   |
|--------------------|---|
| Dimensions (LxWxH) | 120 mm x 79 mm x 74 mm (4.7" x 3.1" x 2.9") |
| Weight             | 1.15 kg (2.5 lbs) without lens              |
| Camera Mount       | 1/4" UNC-20 (top and bottom)                |

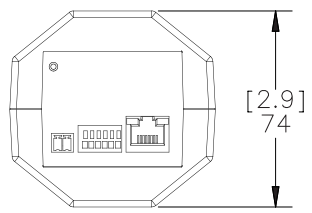
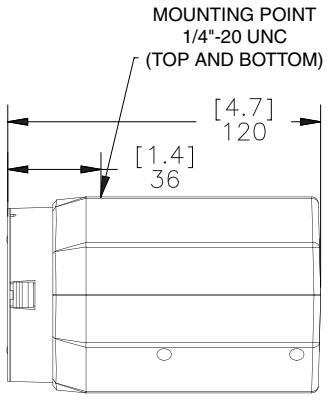
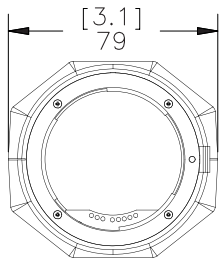
| ELECTRICAL        |   |
|-------------------|---|
| Power Source      | VDC: 12-24 V<br>VAC: 24 V<br>PoE: IEEE802.3af Class 3 compliant |
| Power Consumption | 9 W   |
| Power Connector   | 2-pin terminal block  |

| ENVIRONMENTAL         |   |
|-----------------------|---|
| Operating Temperature | -10 °C to +50 °C (14 °F to 122 °F)          |
| Storage Temperature   | -10 °C to +70 °C (14 °F to 158 °F)          |
| Humidity              | 20 - 80% Relative humidity (non-condensing) |

| CERTIFICATIONS            |  |   |
|---------------------------|--|---|
| Safety                    | UL 60950<br>CSA 60950<br>EN 60950-1                                      | CE<br>ROHS<br>WEEE                            |
| Electromagnetic Emissions | FCC Part 15 Subpart B Class A<br>IC ICES-003 Class A<br>EN 55022 Class A | EN 61000-6-3<br>EN 61000-3-2<br>EN 61000-3-3  |
| Electromagnetic Immunity  | EN 50130-4<br>EN 61000-4-2<br>EN 61000-4-3<br>EN 61000-4-4               | EN 61000-4-5<br>EN 61000-4-6<br>EN 61000-4-11 |

| ORDERING INFORMATION |  |
|----------------------|--|
| 16MP-HD-PRO-M        | 16 Megapixel JPEG2000 Monochrome HD Pro Camera |

# Outline Dimensions



|       |        |
|-------|--------|
| [X.X] | INCHES |
| X     | MM     |

