

12 Megapixel H.264 Pro Color Camera with LightCatcher™ Technology

AVIGILON
THE BEST EVIDENCE™

Avigilon's end-to-end surveillance solutions deliver image detail no other system can match. Avigilon Control Center software, featuring High Definition Stream Management (HDSM)™ technology combined with our broad range of megapixel cameras (from 1 MP to 29 MP) provide unprecedented clarity—while effectively managing storage and bandwidth requirements. Our components are scalable and can work together in an end-to-end system, or can be customized to create your own powerful and cost-effective solution.

The innovative HD Pro camera is just one way Avigilon can help provide the very best monitoring and protection.



Avigilon's HD Pro cameras start at 8 MP and go all the way up to an industry-leading 16 MP - using EF and EF-S mount lenses for the best optical quality. Built on Avigilon's upgraded H4 platform, these cameras deliver superior image detail while providing improved bandwidth management to optimize network performance. These cameras also come with on-board storage capabilities, allowing you to store video footage directly on the device using a standard SD card.

Avigilon's HD Pro cameras are ideal for covering vast areas requiring unparalleled detail, making them effective for monitoring stadiums, airports, transportation facilities, critical infrastructure and municipal grounds and buildings.

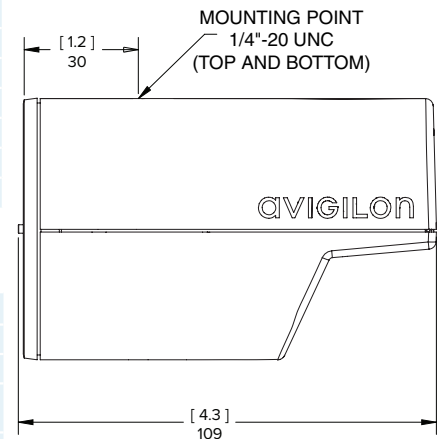
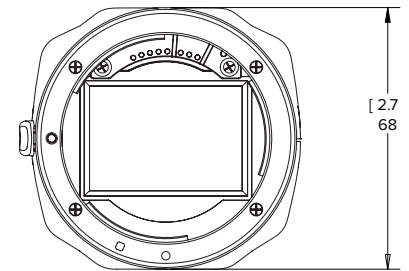
KEY FEATURES

- 12 megapixel progressive scan CMOS sensor
- Avigilon's LightCatcher technology provides unsurpassed image quality in low light environments
- 12 images per second at full resolution
- H.264 and Motion JPEG compression
- 70 dB true dynamic range
- SD card slot for onboard storage support
- Multiple video streams
- Compatible with a wide selection of EF and EF-S mount lenses
- Power over Ethernet, 24 VAC or 12 VDC power input
- Audio Input and Output
- External I/O and RS-485 interface

Specifications

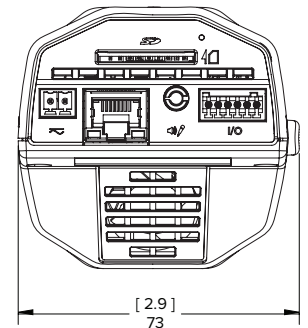
Outline Dimensions

CAMERA	
Image Sensor	27.2 mm (1.07") progressive scan CMOS
Active Pixels	4608 (H) x 2592(V)
Imaging Area	23.6 mm (H) x 13.4 mm (V) (0.93" (H) x 0.53" (V))
Minimum Illumination	0.005 lux (at F1.4)
Dynamic Range	70 dB
Lens Mount	EF and EF-S (SLR-style bayonet)
Image Compression Method	H.264 (MPEG-4 Part 10/AVC), Motion JPEG
Image Rate	12
Streaming	Multi-stream H.264 and Motion JPEG
Resolution Scaling	Down to 3072 x 1728
Motion Detection	Selectable sensitivity and threshold
Electronic Shutter Control	Automatic, Manual (1 to 1/8000 sec)
Iris Control	* Automatic, Manual
Focus Control	* Automatic, Manual
Flicker Control	50 Hz, 60 Hz
White Balance	Automatic, Manual
Privacy Zones	Up to 4 zones
Audio Compression Method	G.711 PCM 8 kHz
Audio Input/Output	Line level, mini-jack (3.5 mm)
External I/O Terminals	Alarm In, Alarm Out, RS-485
* dependent on selected lens capability	



NETWORK	
Network	100BASE-TX
Cabling Type	CAT5
Connector	RJ-45
Security	Password protection, HTTPS encryption, digest authentication, WS authentication, user access log.
Protocol	IPv4, HTTP, HTTPS, SOAP, DNS, NTP, RTSP, RTP, TCP/UDP, IGMP, ICMP, DHCP, Zeroconf, ARP
Streaming Protocols	RTP/UDP, RTP/UDP multicast, RTP/RTSP/TCP, RTP/RTSP/HTTP/TCP, RTP/RTSP/HTTPS/TCP, HTTP

MECHANICAL	
Dimensions (L x W x H)	109 mm x 73 mm x 68 mm (4.3" x 2.9" x 2.7")
Weight	0.37 kg (0.8 lb)
Camera Mount	1/4"-20 UNC (top and bottom)
Onboard Storage	SD/SDHC/SDXC slot - minimum class 6; class 10 & 64 GB or better recommended



ELECTRICAL	
Power Consumption	10 W — camera only
Power Source	VDC: 12 V +/- 10%, 10 W VAC: 24 V +/- 10%, 14.3 VA PoE: IEEE802.3af Class 3 compliant
Power Connector	2-pin terminal block

[X.X]	INCHES
X	MM

ENVIRONMENTAL	
Operating Temperature	-10 °C to +50 °C (14 °F to 122 °F)
Storage Temperature	-10 °C to +70 °C (14 °F to 158 °F)

CERTIFICATIONS			
Safety	UL 60950 CSA 60950	EN 60950-1 CE	ROHS WEEE
Electromagnetic Emissions	FCC Part 15 Subpart B Class B	IC ICES-003 Class B	EN 55022 Class B
Electromagnetic Immunity	EN 55024 Class B EN 61000-4-2 EN 61000-4-3	EN 61000-4-5 EN 61000-4-4	EN 61000-4-6 EN 61000-4-11

ORDERING INFORMATION	
12L-H4PRO-B	12 Megapixel H.264 Pro Color Camera with LightCatcher Technology

