

11 Megapixel JPEG2000 Monochrome HD Pro Camera



Avigilon's end-to-end surveillance solutions deliver image detail no other system can match. Avigilon Control Center software, featuring High-Definition Stream Management™ (HDSM™) technology combined with our broad range of megapixel cameras (from 1 MP to 29 MP) provide unprecedented clarity—while effectively managing storage and bandwidth requirements. Our components are scalable and can work together in an end-to-end system, or can be customized to create your own powerful and cost-effective solution.

The innovative HD Pro camera is just one way Avigilon can help provide the very best monitoring and protection.



JPEG2000 HD Pro cameras start at 8 MP and go all the way up to an industry-leading 29 MP — using E/EF mount lenses for the best optical quality and remote focus. These cameras are mainly used for covering vast areas in high detail, making them effective for monitoring logistics and the movement of goods, as well as stadiums, ports, transportation, critical infrastructure, and municipal grounds and buildings.

KEY FEATURES

11 megapixel progressive scan CCD sensor
5 images per second at full resolution and 10 images per second at 4000 x 480
66 db true dynamic range
0.01 lux minimum illumination
35 mm diagonal image sensor
Lossless JPEG2000 compression
Unsurpassed image quality
Automatic exposure control and iris control
Software focus control
Compatible with a wide selection of Canon® EF mount lenses
Power over Ethernet, 24 VAC or 12 VDC power input
External I/O and RS-485 interface

Specifications

CAMERA	
Image Sensor	35 mm progressive scan interline transfer CCD
Active Pixels	4000 (H) x 2672 (V)
Imaging Area	37.3 mm (H) x 25.7 mm (V); 1.468" (H) x 1.012" (V)
Minimum Illumination	0.01 lux (at F1.4)
Dynamic Range	66 dB
Lens Mount	EF (SLR-style bayonet)
Image Compression Method	JPEG2000
Image Rate	5 (at full resolution); 10 (at 4000 x 480)
Resolution Windowing	Down to 640 x 480 Window
Motion Detection	Selectable sensitivity and threshold
Electronic Shutter Control	Automatic, Manual (2 to 1/60000 sec)
Iris Control	Automatic, Manual
Focus Control	Motorized, Manual
Flicker Control	50 Hz, 60 Hz
White Balance	Automatic, Manual
Backlight Compensation	Automatic
Privacy Zones	Up to 4 zones
External I/O Terminals	Alarm In, Alarm Out, RS-485

NETWORK	
Network	100BASE-TX
Cabling Type	CAT5
Connector	RJ-45
Security	SSL
Protocol	UDP, TCP, SOAP, DHCP, Zeroconf

MECHANICAL	
Dimensions (LxWxH)	120 mm x 79 mm x 74 mm (4.7" x 3.1" x 2.9")
Weight	1.15 kg (2.5 lbs) without lens
Camera Mount	1/4" UNC-20 (top and bottom)

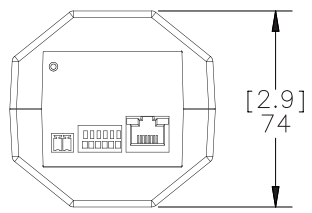
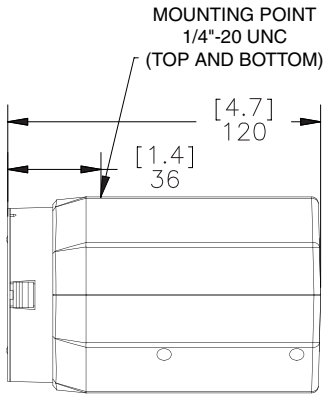
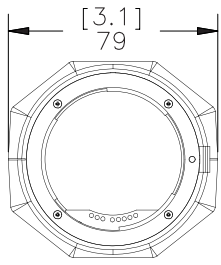
ELECTRICAL	
Power Source	VDC: 12-24 V VAC: 24 V PoE: IEEE802.3af Class 3 compliant
Power Consumption	9 W
Power Connector	2-pin terminal block

ENVIRONMENTAL	
Operating Temperature	-10 °C to +50 °C (14 °F to 122 °F)
Storage Temperature	-10 °C to +70 °C (14 °F to 158 °F)
Humidity	20 - 80% Relative humidity (non-condensing)

CERTIFICATIONS		
Safety	UL 60950 CSA 60950 EN 60950-1	CE ROHS WEEE
Electromagnetic Emissions	FCC Part 15 Subpart B Class A IC ICES-003 Class A EN 55022 Class A	EN 61000-6-3 EN 61000-3-2 EN 61000-3-3
Electromagnetic Immunity	EN 50130-4 EN 61000-4-2 EN 61000-4-3 EN 61000-4-4	EN 61000-4-5 EN 61000-4-6 EN 61000-4-11

ORDERING INFORMATION	
11MP-HD-PRO-M	11 Megapixel JPEG2000 Monochrome HD Pro Camera

Outline Dimensions



[X.X]	INCHES
X	MM

