

5.0 Megapixel Day/Night JPEG2000 HD Dome Camera



Avigilon's end-to-end surveillance solutions deliver image detail no other system can match. Avigilon Control Center software, featuring High-Definition Stream Management™ (HDSM™) technology combined with our broad range of megapixel cameras (from 1 MP to 29 MP) provide unprecedented clarity—while effectively managing storage and bandwidth requirements. Our components are scalable and can work together in an end-to-end system, or can be customized to create your own powerful and cost-effective solution.

The innovative JPEG2000 HD dome camera is just one way Avigilon can help provide the very best monitoring and protection.



JPEG2000 HD dome cameras and accessories are ideal for indoor and outdoor applications, with an optional heater and built-in IR ring for more challenging environments. These cameras are vandal resistant and offer high-resolution image detail — effective for monitoring transportation, critical infrastructure and the movement of goods.

*Lens sold separately

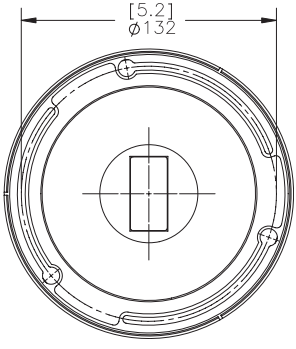
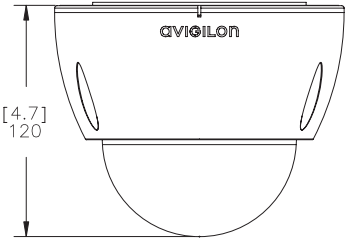
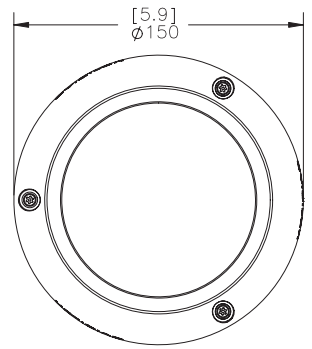
KEY FEATURES

- 5.0 megapixel progressive scan CMOS sensor
- 12 images per second at full resolution and 30 images per second at 1920 x 1080
- 70 dB true dynamic range
- 0.3 lux minimum illumination in color mode and 0.03 lux minimum illumination in monochrome mode
- Lossless JPEG2000 compression
- Automatic exposure control and DC-drive auto iris control
- Automatic removable IR cut filter for IR sensitivity at night with an option for integrated IR illumination
- Compatible with C and CS mount lenses
- Power over Ethernet, 24 VAC or 12 VDC power input
- External I/O interface
- Audio input and output
- Vandal-resistant construction
- IP66 compliant with outdoor mount

Specifications

| | | | |
|-----------------------------|--|--|---|
| CAMERA | Image Sensor | 1/2.5" progressive scan CMOS | |
| | Active Pixels | 2592 (H) x 1944 (V) | |
| | Imaging Area | 5.7 mm (H) x 4.3 mm (V); 0.225" (H) x 0.169" (V) | |
| | Minimum Illumination | 0.3 lux (at F1.4) in color mode; 0.03 lux (F1.4) in monochrome mode | |
| | Dynamic Range | 70 dB | |
| | Lens Mount | CS | |
| | Image Compression Method | JPEG2000 | |
| | Image Rate | 12 (at full resolution); 30 (at 1920 x 1080) | |
| | Resolution Windowing | Down to 640 x 480 Window | |
| | Motion Detection | Selectable sensitivity and threshold | |
| | Electronic Shutter Control | Automatic, Manual (2 to 1/30000 sec) | |
| | Iris Control | Automatic, Manual | |
| | Day/Night Control | Automatic, Manual | |
| | IR Illuminator (Option) | 850 nm wavelength, 15 m (50 ft) range maximum | |
| | Flicker Control | 50 Hz, 60 Hz | |
| | White Balance | Automatic, Manual | |
| | Backlight Compensation | Automatic | |
| | Privacy Zones | Up to 4 zones | |
| | Audio Compression Method | G.711 PCM 8 khz | |
| | Audio Input/Output | Line input/output, I/O mini-jack (3.5 mm) | |
| External I/O Terminals | Alarm In, Alarm Out, RS-485 | | |
| NETWORK | Network | 100BASE-TX | |
| | Cabling Type | CAT5 | |
| | Connector | RJ-45 | |
| MECHANICAL | Security | SSL | |
| | Protocol | UDP, TCP, SOAP, DHCP, Zeroconf | |
| | Dimensions (ØxH) | 150 mm x 120 mm; 5.9" x 4.7" | |
| | Weight | 0.91 kg (2.0 lbs) without lens | |
| | Dome Bubble | Polycarbonate, clear | |
| | Body | Aluminum | |
| | Housing | Surface mount, vandal resistant | |
| ELECTRICAL | Finish | Powder coat, cool gray 2 | |
| | Adjustment Range | 360° pan, 180° tilt, 180° azimuth | |
| | Power Source | VDC: 12-24 V VAC: 24 V PoE: IEEE802.3af Class 3 compliant | |
| | Power Consumption | 6 W + 5.5 W with heater option + 3.5 W with IR illuminator option | |
| ENVIRONMENTAL | Power Connector | 2-pin terminal block | |
| | Operating Temperature | -10 °C to +50 °C (14 °F to 122 °F) -30 °C to +50 °C (-22 °F to 122 °F) with heater option | |
| | Storage Temperature | -10 °C to +70 °C (14 °F to 158 °F) | |
| CERTIFICATIONS | Humidity | 20 - 80% Relative humidity (non-condensing) | |
| | Safety | UL 60950 CSA 60950 EN 60950-1 | CE ROHS WEEE |
| ORDERING INFORMATION | Environmental | IK10 Impact Rating | Meets IP66 Weather Rating |
| | Electromagnetic Emissions | FCC Part 15 Subpart B Class A IC ICES-003 Class A EN 55022 Class A | EN 61000-3-2 EN 61000-3-3 EN 61000-6-3 |
| | Electromagnetic Immunity | EN 50130-4 EN 61000-4-2 EN 61000-4-3 EN 61000-4-4 | EN 61000-4-5 EN 61000-4-6 EN 61000-4-11 |
| | 5.0MP-HD-DOME-DN | 5.0 Megapixel Day/Night JPEG2000 HD Dome Camera | |
| 5.0MP-HD-DOME-DN-H | 5.0 Megapixel Day/Night JPEG2000 HD Dome Camera with Heater | | |
| 5.0MP-HD-DOME-DN-IR | 5.0 Megapixel Day/Night JPEG2000 HD Dome Camera with IR Illuminator | | |
| 5.0MP-HD-DOME-DN-H-IR | 5.0 Megapixel Day/Night JPEG2000 HD Dome Camera with Heater and IR Illuminator | | |
| DOME-INDE-PLT | Indoor Electrical Box Mounting Plate | | |
| DOME-IND-CEL | Indoor In-Ceiling Mount | | |
| DOME-OD-BASE | Indoor/Outdoor Mounting Base | | |
| DOME-OD-PEND | Indoor/Outdoor Pendant Mount | | |
| DOME-SMOKE | Replacement smoked transparent cover. | | |

Outline Dimensions



| | |
|-------|--------|
| [X.X] | INCHES |
| X | MM |

5.0MP-HD-DOME-DN