

Installation Guide

Avigilon™ High Definition Professional IP Camera Models:

30L-H4PRO-B, 24L-H4PRO-B, 16L-H4PRO-B, 12L-H4PRO-B
and 8L-H4PRO-B

Important Safety Information

This manual provides installation and operation information and precautions for the use of this device. Incorrect installation could cause an unexpected fault. Before installing this equipment read this manual carefully. Please provide this manual to the owner of the equipment for future reference.



This Warning symbol indicates the presence of dangerous voltage within and outside the product enclosure that may result in a risk of electric shock, serious injury or death to persons if proper precautions are not followed.



This Caution symbol alerts the user to the presence of hazards that may cause minor or moderate injury to persons, damage to property or damage to the product itself if proper precautions are not followed.



WARNING — Failure to observe the following instructions may result in severe injury or death.

- Do not use near water or expose to dripping or splashing.
- Do not place objects filled with liquids above the device.
- Do not expose to rain or moisture.
- For indoor use only.
If used outdoors, an approved outdoor mounting adapter or enclosure is required. Consult with Avigilon for more information.
- Installation must be performed by qualified personnel only, and must conform to all local codes.
- This product is intended to be supplied by a UL Listed Power Unit marked “Class 2” or “LPS” or “Limited Power Source” with output rated 12 VDC or 24 VAC, 13 W min. or Power over Ethernet (PoE), rated 48 VDC, 13 W min.
- Any external power supply connected to this product may only be connected to another Avigilon product of the same model series. External power connections must be properly insulated.
- Do not connect directly to mains power for any reason.



CAUTION — Failure to observe the following instructions may result in injury to persons or damage to the device.

- Do not install near any heat sources such as radiators, heat registers, stoves, or other sources of heat.
- Do not subject the device cables to excessive stress, heavy loads or pinching.
- Do not open or disassemble the device. There are no user serviceable parts.
- Refer all device servicing to qualified personnel. Servicing may be required when the device has been damaged (such as from a liquid spill or fallen objects), has been exposed to rain or moisture, does not operate normally, or has been dropped.
- Do not use strong or abrasive detergents when cleaning the device body.
- Use only accessories recommended by Avigilon.

- Use only UL-listed mounting bracket suitable for the mounting surface and minimum 0.4 kg (0.9 lb) weight, plus the weight of the attached lens.
- Avoid leaving the image sensor exposed for extended periods of time. Always cover the image sensor with either a lens or a dust cap.
- Do not allow dust, moisture or any other foreign debris to enter the lens mount.
- Never touch any glass elements inside the lens mount.
- Do not point the lens directly at the sun or other extremely bright objects or damage to the image sensor may occur.
- Use of controls or adjustments or performance of procedures other than those specified in this document may result in hazardous radiation exposure.

Regulatory Notices

This device complies with part 15 of the FCC Rules. Operation is subject to the following two conditions: (1) this device may not cause harmful interference, and (2) this device must accept any interference received, including interference that may cause undesired operation.

This Class B digital apparatus complies with Canadian ICES-003.

This equipment has been tested and found to comply with the limits for a Class B digital device, pursuant to Part 15 of the FCC rules. These limits are designed to provide reasonable protection against harmful interference in a residential installation. This equipment generates, uses and can radiate radio frequency energy and, if not installed and used in accordance with the instructions, may cause harmful interference to radio communications. However, there is no guarantee that interference will not occur in a particular installation. If this equipment does cause harmful interference to radio or television reception, which can be determined by turning the equipment off and on, the user is encouraged to try to correct the interference by one or more of the following measures:

- Reorient or relocate the receiving antenna.
- Increase the separation between the equipment and the receiver.
- Connect the equipment into an outlet on a circuit different from that to which the receiver is connected.
- Consult the dealer or an experienced radio/TV technician for help.

Changes or modifications made to this equipment not expressly approved by Avigilon Corporation or parties authorized by Avigilon Corporation could void the user's authority to operate this equipment.

Disposal and Recycling Information

When this product has reached the end of its useful life, please dispose of it according to your local environmental laws and guidelines.

Risk of fire, explosion, and burns. Do not disassemble, crush, heat above 100 °C (212 °F), or incinerate.

European Union:



This symbol means that according to local laws and regulations your product should be disposed of separately from household waste. When this product reaches its end of life, take it to a collection point designated by local authorities. Some collection points accept products for free. The separate collection and recycling of your product at the time of disposal will help conserve natural resources and ensure that it is recycled in a manner that protects human health and the environment.

Legal Notices

© 2014 - 2019, Avigilon Corporation. All rights reserved. AVIGILON, the AVIGILON logo, AVIGILON CONTROL CENTER, and ACC are trademarks of Avigilon Corporation. ONVIF is a trademark of Onvif, Inc. Other names or logos mentioned herein may be the trademarks of their respective owners. The absence of the symbols ™ and ® in proximity to each trademark in this document or at all is not a disclaimer of ownership of the related trademark. Avigilon Corporation protects its innovations with patents issued in the United States of America and other jurisdictions worldwide (see avigilon.com/patents). Unless stated explicitly and in writing, no license is granted with respect to any copyright, industrial design, trademark, patent or other intellectual property rights of Avigilon Corporation or its licensors.

Disclaimer

This document has been compiled and published using product descriptions and specifications available at the time of publication. The contents of this document and the specifications of the products discussed herein are subject to change without notice. Avigilon Corporation reserves the right to make any such changes without notice. Neither Avigilon Corporation nor any of its affiliated companies: (1) guarantees the completeness or accuracy of the information contained in this document; or (2) is responsible for your use of, or reliance on, the information. Avigilon Corporation shall not be responsible for any losses or damages (including consequential damages) caused by reliance on the information presented herein.

Avigilon Corporation
avigilon.com

920-0078A

Revision: 9 - EN

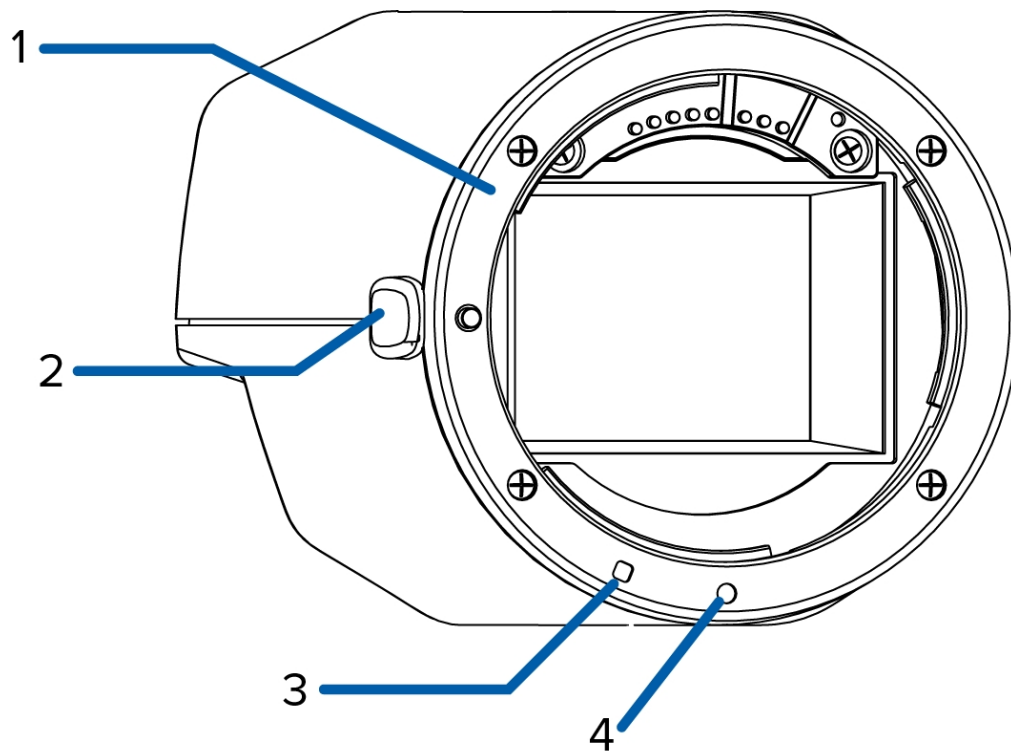
20191224

Table of Contents

Overview	1
Front View	1
Rear View	2
Installation	4
Required Tools and Materials	4
Camera Package Contents	4
Installation Steps	4
Mounting and Aiming Video Analytics Cameras	4
Mounting the Lens	5
Mounting the Camera	6
Connecting Cables	6
Initializing a Camera Username and Password	6
Assigning an IP Address	7
Accessing the Live Video Stream	8
Aiming and Focusing the Camera	8
(Optional) Configuring Onboard Storage	9
For More Information	9
Cable Connections	10
Connecting External Power	10
Connecting to External Devices	10
Connecting to Microphones and Speakers	11
Connection Status LED Indicator	13
Resetting to Factory Default Settings	14
Setting the IP Address Using the ARP/Ping Method	15
Cleaning	16
Image Sensor	16
Body	16
Limited Warranty and Technical Support	17

Overview

Front View



1. **Lens mount**

Accepts EF and EF-S lenses.

2. **Lens release button**

Releases the lens that is mounted on the camera.

3. **EF-S mount index**

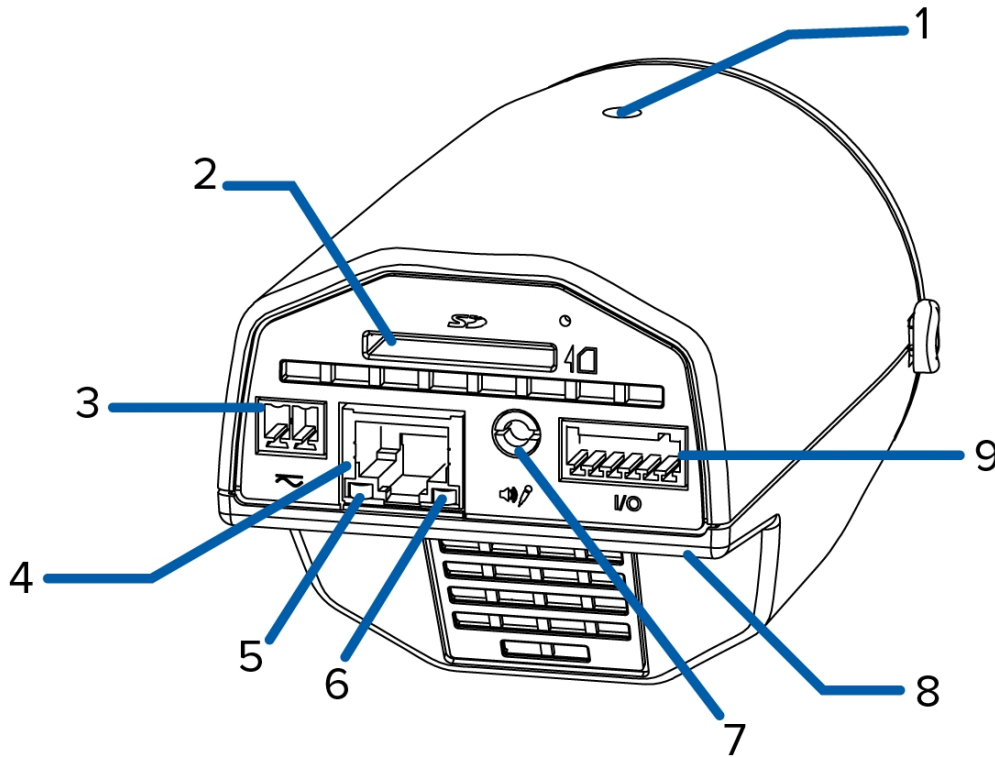
A white mark on the lens mount to help you align an EF-S lens to the camera.

Note: This mark may appear on models 30L-H4PRO-B and 24L-H4PRO-B. EF-S lenses are not supported by these models.

4. **EF mount index**

A red mark on the lens mount to help you align the EF lens to the camera.

Rear View



1. Camera mounts

Provides mounting points for the camera. Mounts accept 1/4"-20 UNC bolts commonly found on tripods and mounting brackets.

2. SD card slot

Accepts an SD card for onboard storage.

3. Power connector block

Accepts a terminal block with either an AC or DC power connection. DC input can be either polarity. Only required when Power over Ethernet is not available.

4. Ethernet port

Accepts an Ethernet connection to a network. Server communication and image data transmission occurs over this connection. Also receives power when it is connected to a network that provides Power over Ethernet.

5. Link LED indicator

Indicates if there is an active connection in the Ethernet port.

6. Connection status LED indicator

Provides information about device operation. For more information, see *Connection Status LED Indicator* on page 13.

7. **Audio I/O connector**

Accepts a mini-jack connector (3.5 mm).

8. **Serial number tag**

Device information, product serial number and part number label.

9. **I/O connector block**

Provides connections to external input/output devices.

Installation

Required Tools and Materials

- Small slotted screwdriver with 5/64" or 2 mm blade width — for connecting power when not using Power over Ethernet.
- Mounting bracket, enclosure or tripod.
- EF or EF-S mount lens

Note: Models 30L-H4PRO-B and 24L-H4PRO-B do not support EF-S lenses, use EF lenses only.

Camera Package Contents

Ensure the package contains the following:

- Avigilon™ High Definition Professional IP Camera
- Power terminal block
- Dust cap
- I/O terminal block

Installation Steps

Complete the following sections to install the device.

Mounting and Aiming Video Analytics Cameras

When installing an Avigilon video analytics camera, follow the listed mounting and aiming recommendations to maximize the camera's analytics capabilities:

- The camera should be installed above 274 cm (9').
- The camera should tilt downwards no more than 45 degrees.
- The camera image should be level with the horizon line.
- The camera should be mounted to a stable surface to minimize the physical movement of the camera after installation.

For more details, see *Designing a Site for Video Analytics*. The document is available on the Avigilon website.

Mounting the Lens

Models 30L-H4PRO-B and 24L-H4PRO-B may have both EF and EF-S indices on the lens mount. These models do not support EF-S lenses. Use only EF lenses with these camera models.

Important: Avigilon cameras require high-quality lenses to take full advantage of their advanced imaging capabilities. To avoid poor image quality caused by incorrect lens selection, only use lenses that are recommended by Avigilon for use with this camera model. For a list of lenses recommended for use with this camera model, contact your Avigilon dealer or representative.

Note: If the lens includes a collar, the collar must be used to prevent damage to the lens mount on the camera.

To mount a lens to the camera, complete the following steps:

1. Do not connect power to the camera until after the lens is mounted.
2. If the lens includes a collar, install the collar to the lens first.
3. Remove the dust cap from the lens mount.
4. Align the lens to the appropriate index marker on the lens mount.
 - Red mark: EF mount index
 - White mark: EF-S mount index
5. Turn the lens clockwise until it locks into place.

To detach a lens, complete the following steps:

1. Disconnect power from the camera.
2. While pressing the lens release button, turn the lens counterclockwise until it stops.
3. Remove the lens from the camera. Immediately mount another lens or a dust cap on the lens mount to prevent contamination.

CAUTION —



- Never touch the image sensor or any glass elements inside the lens mount. Only clean the image sensor with the recommended cleaning tools.
- Do not allow dust, moisture or any other foreign debris to enter the lens mount.
- Avoid leaving the image sensor exposed for extended periods of time.
- Always cover the image sensor with either a lens or a dust cap.

Mounting the Camera

1. Use the ¼"-20 UNC threaded holes to mount the camera on to a bracket, tripod or in an enclosure as required.
 - Mount the camera using the tripod collar on the lens.
 - If the lens does not have a tripod collar, use the threaded hole at the bottom of the camera.

Consult the installation instructions provided with the bracket, tripod or enclosure for detailed mounting instructions.



CAUTION — Always mount the camera from the lens tripod collar when the lens includes a collar. The camera shall be mounted horizontally or with the lens pointed downwards.



WARNING — Use only UL-listed mounting bracket suitable for the mounting surface and minimum 0.4 kg (0.9 lb) weight plus the weight of the attached lens.

Connecting Cables

Refer to the diagrams in the Overview section for the location of the different connectors.

To connect the cables required for proper operation, complete the following:

1. If external input or output devices are part of the installation (for example: door contacts, relays, etc.), connect the devices to the I/O connector block.
2. If an external microphone or speaker is required, connect the devices to the audio connector.
3. Connect power using one of the following methods:
 - Power over Ethernet (PoE) Class 3 — If PoE is available, the LEDs will turn on.
 - External Power — Connect an external 12 V DC or 24 V AC power source to the power connector block.

Note: The lens must be mounted before you power the camera.


4. Connect a network cable to the Ethernet port (RJ-45 connector).
The Link LED indicator will turn on once a network link has been established.
5. Check that the Connection Status LED indicator indicates the correct state. For more information, see *Connection Status LED Indicator* on page 13.

Initializing a Camera Username and Password

Cameras manufactured after January 1, 2020, do not have a default username or password and will be in a factory default state.

Important: You must create a user with *administrator* privileges before the camera is operational.

The first user can be created using any of the following methods:

- Camera's Web Interface: enter the camera's IP address in a web browser to access the web interface. If the camera is in the factory default state you will be redirected to the Add a new user page to create the first user. For more information, see the *Avigilon High Definition H4 and H5 IP Camera Web Interface User Guide*.
- Camera Configuration Tool version 1.4.4 or later: cameras discovered in the factory default state will be identified by . Select the **Admin Users** tab to create the first user. For more information, see the *Avigilon Camera Configuration Tool User Guide*.
- USB Wi-Fi Adapter: when connecting a camera in the factory default state, you will be redirected to the Create Administrator User page to create the first user. For more information, see *Avigilon USB Wi-Fi Adapter System User Guide*.
- Avigilon Control Center software version 7.4 or later, or version 6.14.12 or later: when connecting a camera in the factory default state, the client software will ask you to create a new user. For more information, see the *Avigilon Control Center Client User Guide*.
- Avigilon Blue service v3.0 or later: when adding a camera you will be asked to create a new user for cameras in the factory default state. For more information, see the *Avigilon Blue Subscriber or Dealer User Guides*.

Tip: If you are connecting your Avigilon camera to a 3rd party VMS, you will need to set up the first user through the camera's Web Interface, Camera Configuration Tool, or USB Wifi Adapter before you connect to the 3rd party VMS.

Assigning an IP Address

The camera automatically obtains an IP address when it is connected to a network.

Note: If the camera cannot obtain an IP address from a DHCP server, it will use Zero Configuration Networking (Zeroconf) to choose an IP address. When set using Zeroconf, the IP address is in the 169.254.0.0/16 subnet.

The IP address settings can be changed using one of the following methods:

- Camera's web browser interface: `http://<camera IP address>/`
- Network video management software application (for example, Avigilon Control Center (ACC)[™] software).
- ARP/Ping method. For more information, see *Setting the IP Address Using the ARP/Ping Method* on page 15.

Note:

Depending on the manufacture date of your camera, you will have one of the two options below to log in for the first time:

- Cameras manufactured after January 1, 2020: these cameras do not have a default username or password and will be in a factory default state. **You must create a user with administrator privileges before the camera is operational.** For more information, see *Initializing a Camera Username and Password* on page 6.
- Cameras manufactured before January 1, 2020: login to the camera using the default username of `administrator` with no password. It is recommended that you change the password after your first login.

Accessing the Live Video Stream

Live video stream can be viewed using one of the following methods:

- Web browser interface: `http://<IP address>/`
- Network video management software application (for example, the Avigilon Control Center software).

Note:

Depending on the manufacture date of your camera, you will have one of the two options below to log in for the first time:

- Cameras manufactured after January 1, 2020: these cameras do not have a default username or password and will be in a factory default state. **You must create a user with administrator privileges before the camera is operational.** For more information, see *Initializing a Camera Username and Password* on page 6.
- Cameras manufactured before January 1, 2020: login to the camera using the default username of `administrator` with no password. It is recommended that you change the password after your first login.

Aiming and Focusing the Camera

Use the Avigilon Camera Installation Tool or camera web interface to aim and focus the camera. Consult the software user guide for more information.

1. If available, adjust the zoom using the appropriate ring on the lens.
2. If the lens has an auto focus (AF) mode, set the lens switch to the AF position to allow the camera web interface or Avigilon Camera Installation Tool to control the camera's focus.
 - a. Click **Auto Focus** to focus the lens.
 - b. If the preferred focus was not achieved, use the focus near and far buttons to adjust the focus.

(Optional) Configuring Onboard Storage

To use the camera's onboard storage feature, you must insert an SD card into the SD card slot.

It is recommended that the SD card have a capacity of 64 GB or more, and a write speed of class 10 or better. If the SD card does not meet the recommended capacity or write speed, the performance of the onboard storage may suffer and result in the loss of frames or footage.

Ensure the SD card is designed for continuous video recording or the SD card life expectancy may be adversely affected.

1. Insert an SD card into the camera.



CAUTION — Do not force the SD card into the camera or you may damage the card and the camera. The SD card can only be inserted in one direction.

2. Access the camera's web interface to enable the onboard storage feature. For more information, see the *Avigilon High Definition H4 and H5 IP Camera Web Interface User Guide*.

For More Information

Additional information about setting up and using the device is available in the following guides:

- *Avigilon Control Center Client User Guide*
- *Web Interface User Guide — Avigilon High Definition H4 and H5 IP Cameras*
- *Avigilon USB Wi-Fi Adapter System User Guide*
- *Avigilon Camera Configuration Tool User Guide*
- *Designing a Site with Avigilon Video Analytics*

These guides are available on help.avigilon.com and on the Avigilon website: avigilon.com/support-and-downloads.

Cable Connections

Connecting External Power

If PoE is not available, the camera needs to be powered through the removable power connector block. Refer to the diagrams in this guide for the location of the power connector block.


The power consumption information is listed in the product specifications.

To connect power to the power connector block, complete the following steps:

1. Remove the power connector block from the camera.
2. Remove the insulation from ¼" (6 mm) of the power wires. Do not nick or damage the wires.
3. Insert the two power wires into the two terminals on the power connector block. The connection can be made with either polarity.

Use a small slotted (5/64" or 2 mm blade width) screwdriver to loosen and tighten the terminals.

4. Attach the power connector block back into the camera.

 **WARNING** — This product is intended to be supplied by a UL Listed Power Unit marked “Class 2” or “LPS” or “Limited Power Source” with output rated 12 V DC or 24 V AC, 13 W min. or PoE rated 48 V DC, 13 W min.

Connecting to External Devices

External devices are connected to the camera through the I/O terminal block. The pinout for the I/O terminal block is shown in the following diagram:

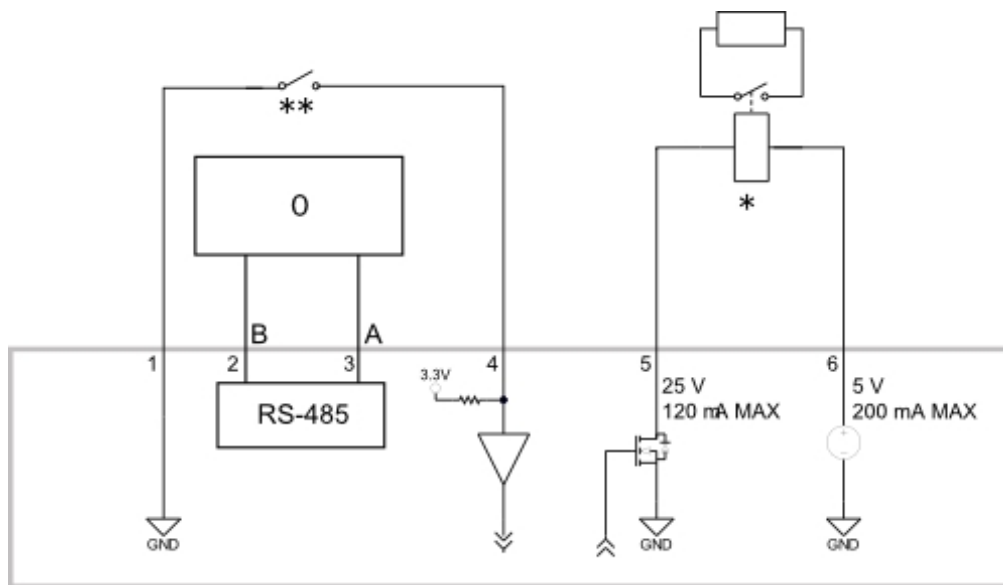


Figure 1: Example application.

1. Ground
2. RS-485B
3. RS-485A
4. Relay input
5. Relay output
6. +5 VDC, 200 mA max. output for relay drive
 - 0 — External device
 - * — Relay
 - ** — Switch

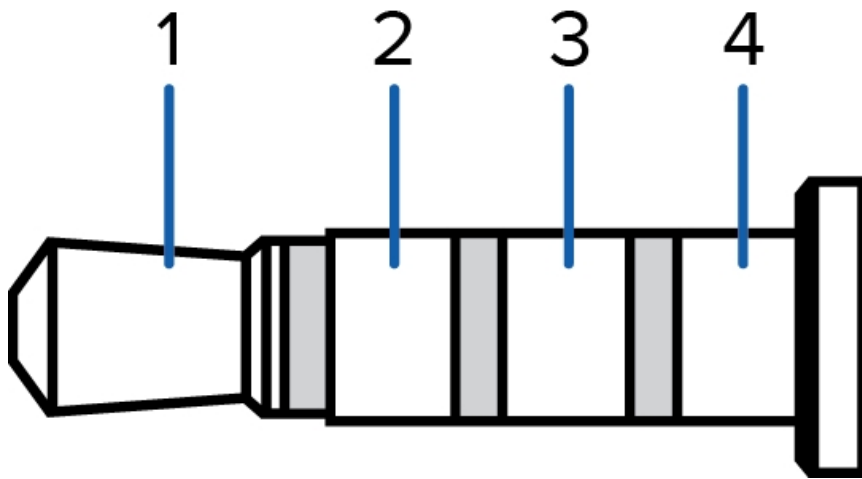
Note: The 5 V connection can be used to energize a relay coil with up to 200 mA. If more than 200 mA is required, an external power supply up to 25 VDC at 120 mA can be used.

Connecting to Microphones and Speakers

The camera can be connected to an external microphone and speaker through the mini-jack (3.5 mm) audio/video connector (Avigilon part number CM-AC-AVIO1).

The camera only supports line level mono audio input.

The pinout for the connector is shown in the following diagram:



The wiring for the connector pinout is shown in the following table:

Pin	Purpose	Wire
1	Audio IN	Red
2	Audio OUT	Black

Pin	Purpose	Wire
3	GND	Yellow
4	GND	Green

Connection Status LED Indicator

Once connected to the network, the Connection Status LED indicator will display the progress in connecting to the Network Video Management software.

The following table describes what the LED indicator shows:

Connection State	Connection Status LED Indicator	Description
Obtaining IP Address	One short flash every second	Attempting to obtain an IP address.
Discoverable	Two short flashes every second	Obtained an IP address but not connected to the Network Video Management software.
Upgrading Firmware	Two short flashes and one long flash every second	Updating the firmware.
Connected	On	Connected to the Network Video Management software or an ACC™ Server. The default connected setting can be changed to Off using the camera's web user interface. For more information see the <i>Avigilon High Definition H4 and H5 IP Camera Web Interface User Guide</i> .

Resetting to Factory Default Settings

If the device no longer functions as expected, you can choose to reset the device to its factory default settings.

Use the firmware revert button to reset the device. The firmware revert button is shown in the following diagram:

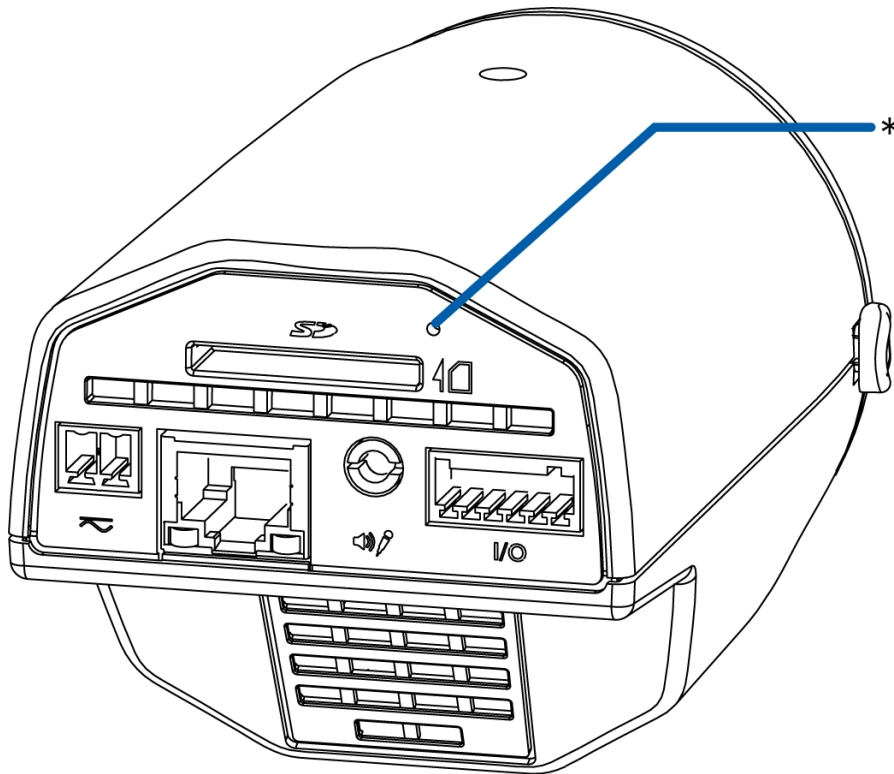


Figure 2: The firmware revert button on the rear of the camera.

1. Disconnect power from the device.
2. Using a straightened paperclip or similar tool, gently press and hold the firmware revert button.
3. While continuing to hold the button, power the device.

Release the button after three seconds.



CAUTION — Do not apply excessive force. Inserting the tool too far may damage the camera.

Setting the IP Address Using the ARP/Ping Method

Complete the following steps to configure the camera to use a specific IP address:

1. Locate and copy down the MAC Address (MAC) listed on the Serial Number Tag for reference.
2. Open a Command Prompt window and enter the following commands:

- a. `arp -s <New Camera IP Address> <Camera MAC Address>`

For example: `arp -s 192.168.1.10 00-18-85-12-45-78`

- b. `ping -l 123 -t <New Camera IP Address>`

For example: `ping -l 123 -t 192.168.1.10`

3. Reboot the camera.
4. Close the Command prompt window when you see the following message:

Reply from <New Camera IP Address>: ...

Cleaning

Image Sensor

The image sensor is protected from contamination by protective glass. However, the protective glass can be contaminated by dust and other debris.

To clean the protective glass, perform the following steps:

1. Remove the lens or dust cap.
2. Using a photographic-grade bulb-type blower (commercially available), blow away any dust or foreign debris from the protective glass inside the lens mount.
3. Immediately replace the lens or dust cap.

If the protective glass is still not clean, obtain an image sensor cleaning swab and solution. Follow the cleaning instructions provided by the manufacturer.

CAUTION —



- Never touch the image sensor or any glass elements inside the lens mount. Only clean the image sensor with the recommended cleaning tools.
- Do not allow dust, moisture or any other foreign debris to enter the lens mount.
- Avoid leaving the image sensor exposed for extended periods of time.
- Always cover the image sensor with either a lens or a dust cap.

Body

Use a dry or lightly dampened cloth to clean the camera body.



CAUTION — Do not use strong or abrasive detergents when cleaning the camera body.

Limited Warranty and Technical Support

Avigilon warranty terms for this product are provided at [avigilon.com/warranty](https://www.avigilon.com/warranty).

Warranty service and technical support can be obtained by contacting Avigilon Technical Support: [avigilon.com/contact-us/](https://www.avigilon.com/contact-us/).