

EXHC000G

EX-PROOF HOUSING FOR THERMAL CAMERAS



DESCRIPTION

The EXHC000G housing is made with strong anticorrosive aluminium die-cast alloy of the AlSi 7Mg EN - AB 42000 group.

The germanium viewing window is designed for thermal imaging camera installations. Its composition with the remarkable properties covers transmission from 7.5 to 14µm IR range with the best optical quality. All external components are stove enamelled.

The cylindrical body of the housing (210mm (8.3in) diameter and 400mm (15.7in) length) is closed on opposite sides by two 12mm (0.47in) thick flanges. The Germanium window, 12mm (0.47in) thick, offers a viewing window of 114mm (4.5in) diameter. The housing is supplied with two holes for the 3/4" NPT cable glands. The camera housing is equipped with an internal housing heater and an optional sunshield.

CERTIFICATIONS



MAIN FEATURES

Certifications Ex d for use in Zone 1 and 2, Group IIC (Gas), and in Zone Ex tb 21 and 22 (Dust)

Solid anticorrosive aluminium construction

Epoxy polyester powder painting, RAL7032 color

Germanium window

IP66

2 holes for cable glands 3/4" NPT

Supplied with heater. Sunshield as option.

Ambient temperature: from -20°C (-4°F) up to +50°C (122°F)

TECHNICAL DATA

GENERAL

Non-corrosive die-cast aluminium (anticorrosive)
Epoxy powder painted with orange peel effect, RAL7032

MECHANICAL

2 inputs 3/4" NPT for cable glands
External dimensions: 210x427.5mm (8.3x16.8in)
Internal dimensions: 180x380mm (7.1x15in)
Internal usable area: 100x100x280mm (3.9x3.9x11in)
Unit weight: 15kg (33.5lb)

HOUSING'S WINDOW

Germanium window

- Usable diameter: 114mm (4.5in)
- Thick: 12mm (0.47in)
- External treatment: antiscratch (Hard Carbon Coating - DLC), antireflection
- Internal treatment: antireflection
- Spectral range: from 7.5µm up to 14µm
- Medium transmittance (from 7.5µm up to 11.5µm): 86.6%
- Medium transmittance (from 11.5µm up to 14µm): 67.8%

ELECTRICAL

Power supply IN 24Vac, 50/60Hz
Heater Ton 10°C±4°C (50°F±7°F) Toff 25°C±3°C (77°F±5°F)

- IN 24Vac, power consumption 20W max

Devices to install inside the housing:

- Camera equipped with lens with max total power of 20W
- Voltage 24Vac max
- Useful volume for camera / lens: 2800cm³
- Minimum distance between the walls of the housing and the camera/lens: 12mm

ENVIRONMENT

For indoors and outdoors installation

Operating temperature with heating: from -20°C (-4°F) up to +50°C (122°F)

Relative humidity: from 5% up to 95%

CERTIFICATIONS

Electrical safety (CE): EN62368-1

Electromagnetic compatibility (CE): EN61000-6-3, EN61000-3-2, EN61000-3-3, EN50130-4, EN55032 (Class B)

RoHS (CE): EN50581

Outdoor installation (CE): EN60950-22, ICE60950-22

IP protection degree (EN/IEC60529): IP66

CERTIFICATIONS - EXPLOSION-PROOF APPLICATIONS

ATEX (EN 60079-0+A11, EN 60079-1, EN 60079-31)

EAC EX (TR CU 012/2011)

For further details on certifications and markings, consult the relevant table.

BRACKETS AND ADAPTORS

EXWBJ000	Bracket and ball joint RAL7032 for EXH series
EXBJ000	Only ball joint for EXH RAL7032 housings

ACCESSORIES

EXHS000	Sunshield 580mm (22.8in) for EXH series
OCTEX3/4C	Cable gland in nickel-plated brass with gasket EX 3/4" NPT, unarmoured cable IECEX-ATEX-EAC Ex
OCTEXA3/4C	Cable gland in nickel-plated brass with gasket EX 3/4" NPT, armoured cable IECEX-ATEX-EAC Ex
OCTEXB3/4C	Barrier cable gland in nickel-plated brass 3/4" NPT, unarmoured cable IECEX-ATEX-EAC Ex
OCTEXB3/4P	Barrier cable gland in nickel-plated brass EX 3/4" NPT, unarmoured cable IECEX-ATEX-EAC Ex
OCTEXBA3/4P	Barrier cable gland in nickel-plated brass EX 3/4" NPT, armoured cable IECEX-ATEX-EAC Ex
OCTEXBA3/4C	Barrier cable gland in nickel-plated brass 3/4" NPT, armoured cable IECEX-ATEX-EAC Ex
OCTEX3/4	Cable gland in nickel-plated brass with gasket EX 3/4" NPT, unarmoured cable ATEX
OCTEXA3/4	Cable gland in nickel-plated brass with gasket EX 3/4" NPT, armoured cable ATEX
OCTEXB1/2C	Barrier cable gland in nickel-plated brass EX 1/2" NPT, unarmoured cable IECEX-ATEX-EAC Ex
OCTEXB1/2P	Barrier cable gland in nickel-plated brass EX 1/2" NPT, unarmoured cable IECEX-ATEX-EAC Ex
OCTEXBA1/2P	Barrier cable gland in nickel-plated brass EX 1/2" NPT, armoured cable IECEX-ATEX-EAC Ex
OCTEX1/2C	Cable gland in nickel-plated brass EX 1/2" NPT, unarmoured cable IECEX-ATEX-EAC Ex
OCTEXS1/2C	Cable gland in nickel-plated brass EX 1/2" NPT, unarmoured cable IECEX-ATEX-EAC Ex
OCTEXA1/2C	Cable gland in nickel-plated brass EX 1/2" NPT armoured cable IECEX-ATEX-EAC Ex
OCTEX1/2-3/4P	Cable glands reduction in nickel-plated brass Ex 3/4" - 1/2" NPT IECEX-ATEX-EAC Ex
OCTEXP3/4C	Conduit cable gland nickel-plated brass 3/4" NPT IECEX-ATEX- c CSA us - EAC Ex (operating temperature: from -60°C (-76°F) up to +80°C (+176°F))
OEXPLUG1/2P	Plug EX 1/2" NPT IECEX-ATEX-EAC Ex
OEXPLUG3/4P	Plug EX 3/4" NPT IECEX-ATEX-EAC Ex

For further details about cable glands part numbers, please refer to the relevant table.

SPARE PARTS

OSLIEX	Internal slide complete with heater for EXHC and EXPTC series
--------	---

PACKAGE

Model Number	Weight	Dimensions (WxHxD)	Master carton
EXHC000G	17.5kg (39lb)	61x32x31cm (24x12.6x12.2in)	-

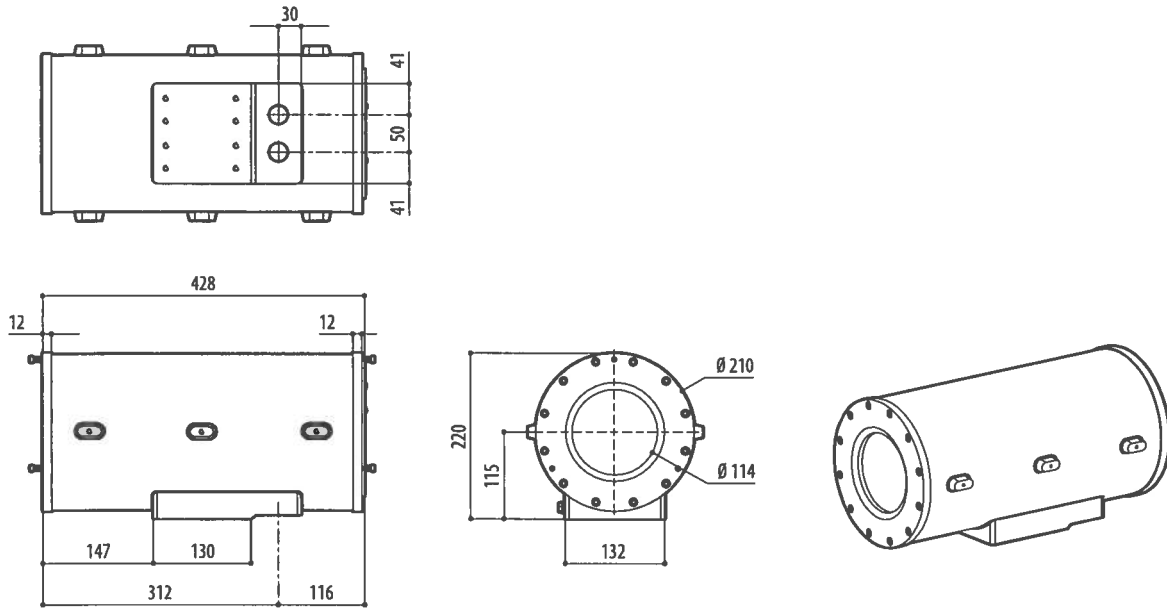
CABLE GLANDS AND ACCESSORIES 1/2" NPT						
Type	Certification	Operating temperature	Cable	Model Number	Diameter of the external cable	Under armor cable diameter
Barrier cable gland	IECEX/ATEX/EAC Ex	-60°C / +80°C (-76°F / +176°F)	Unarmoured cable	OCTEXB1/2C	3.0 - 8.0mm (0.12-0.31in)	–
			Unarmoured cable	OCTEXB1/2P	12.5 - 14.0mm (0.5-0.55in)	–
		-60°C (-76°F) / +135°C (275°F)	Armoured cable	OCTEXBA1/2P	15.5 - 21.1mm (0.61-0.83in)	–
Cable gland with gasket	IECEX/ATEX/EAC Ex	-60°C / +100°C (-76°F / +212°F)	Unarmoured cable	OCTEX1/2C	3.2 - 8.0mm (0.12-0.31in)	–
			Unarmoured cable	OCTEXS1/2C	6.5 - 11.9mm (0.26 - 0.47in)	–
			Armoured cable	OCTEXA1/2C	12.5 - 20.5mm (0.49 - 0.8in)	10 - 14.3mm (0.4 - 0.56in)
Plug EX 1/2"NPT	IECEX/ATEX/EAC Ex	-100°C (-148°F) / +400°C (752°F)	–	OEXPLUG1/2P	–	–

CABLE GLANDS AND ACCESSORIES 3/4" NPT						
Type	Certification	Operating temperature	Cable	Model Number	Diameter of the external cable	Under armor cable diameter
Barrier cable gland	IECEX/ATEX/EAC Ex	-60°C / +80°C (-76°F / +176°F)	Unarmoured cable	OCTEXB3/4C	13.0 - 20.2mm (0.51-0.79in)	–
			Armoured cable	OCTEXBA3/4C	16.9 - 26.0mm (0.66-1.02in)	–
		-60°C (-76°F) / +135°C (275°F)	Unarmoured cable	OCTEXB3/4P	17.8 - 20.0mm (0.70-0.79in)	–
			Armoured cable	OCTEXBA3/4P	16.8 - 23.9mm (0.66-0.94in)	–
Cable gland with gasket	IECEX/ATEX/EAC Ex	-60°C / +100°C (-76°F / +212°F)	Unarmoured cable	OCTEX3/4C	13.0 - 20.2mm (0.51-0.79in)	–
			Armoured cable	OCTEXA3/4C	16.9 - 26.0mm (0.66-1.02in)	11.1 - 19.7mm (0.44 - 0.78in)
	ATEX	-40°C / +100°C (-40°F / +212°F)	Unarmoured cable	OCTEX3/4	14.0 - 17.0mm (0.55-0.67in)	–
			Armoured cable	OCTEXA3/4	18.0 - 23.0mm (0.71-0.91in)	14 - 17mm (0.55 - 0.67in)
Plug EX 3/4"NPT	IECEX/ATEX/EAC Ex	-100°C (-148°F) / +400°C (752°F)	–	OEXPLUG3/4P	–	–
Conduit sealing fitting	IECEX-ATEX- c CSA us - EAC Ex	-60°C / +80°C (-76°F / +176°F)	–	OCTEXP3/4C	–	–
Reduction 3/4" NPT x 1/2" NPT	IECEX/ATEX/EAC Ex	-100°C (-148°F) / +400°C (752°F)	–	OCTEX1/2-3/4P	–	–

EXHC000G - CERTIFICATIONS AND MARKINGS	
Certification	Marking
ATEX	Ⓢ II 2G Ex d IIC T6 Gb Ⓢ II 2D Ex t IIIIC T85°C Db IP66, -20°C/+50°C
EAC Ex	Ex II 2G Ex d IIC T6 Gb Ex II 2D Ex t IIIIC T85°C Db IP66, -20°C/+50°C

TECHNICAL DRAWINGS

The indicated measurements are expressed in millimetres.



EXHC000G