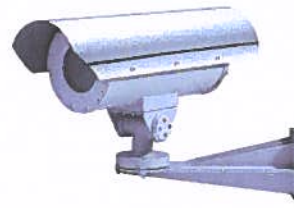
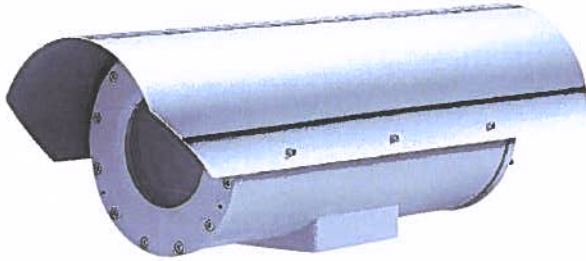


# EXH

EX-PROOF HOUSING



EXHC + EXHS000 + EXWBJ

## DESCRIPTION

The EXH housings are made with strong Anticorodal aluminium die-cast alloy of AISi Mg EN AB- 42000 group.

All external components are stove enameled using powder offering an excellent resistance to UV rays, salt-spray, environment polluting substances.

The cylindrical body of the EXHC housing (210mm diameter and 400mm length) is closed on opposite sides by two 12 mm thick flanges. The housing is supplied with two holes for the 3/4" NPT cable glands. The camera housing is equipped with heater and optional sunshield.

## CERTIFICATIONS



## MAIN FEATURES

Certifications Ex d for use in Zone 1 and 2, Group IIC (Gas), and in Zone Ex tb 21 and 22 (Dust)

Solid anticorodal aluminium construction

IP66

2 holes for cable glands 3/4" NPT

Supplied with heater. Sunshield as option.

Ambient temperature: -40°C/+50°C (-40°C/+122°F) with reinforced heater

## GENERAL

Non-corrosive die-cast aluminium (anticorrosive)  
Epoxy powder painted with orange peel effect, RAL7032

## MECHANICAL

2 holes for cable glands 3/4" NPT  
External dimensions:  
• EXHC Ø 210mmx427.5mm (8.2x16.8in)  
Internal dimensions:  
• EXHC Ø 180x380mm (7x14.9in)  
Internal usable area:  
• EXHC 100x100x280mm (3.9x3.9x11in)  
Glass window extra clear:  
• EXHC Ø 114mm (4.5in)  
Unit weight:  
• EXHC 15kg (33lb)

## ELECTRICAL

Reinforced heater: Ton 15°C±4°C (59°F±7°F), Toff 22°C±3°C (72°F±5°F)  
• 3 resistors in the housing, consumption 60W max  
Glass protection device:  
• 24Vac, power consumption 2W max  
Devices to install inside the housing  
• Camera equipped with lens with max total power of 20W  
• Voltage max. 24Vac or 230Vac  
• Useful volume for camera / lens: 2800cm<sup>3</sup>  
• Minimum distance between the walls of the housing and the camera/lens: 12mm

## ENVIRONMENT

For indoors and outdoors installation  
Operating temperature with heating: -40°C / +50°C (-40°F/+122°F)  
*Always refer to the temperature in the marking.*  
Relative humidity: from 5% up to 95%

## CERTIFICATIONS

Electrical safety (CE): EN62368-1  
Electromagnetic compatibility (CE): EN601000-6-3, EN61000-3-2, EN61000-3-3, EN50130-4, EN55032 (Class B)  
RoHS (CE): EN50581  
Outdoor installation (CE): EN60950-22, ICE60950-22  
IP protection degree (EN/IEC60529): IP66

## CERTIFICATIONS - EXPLOSION-PROOF APPLICATIONS

ATEX (EN 60079-0+A11, EN 60079-1, EN 60079-31)  
IECEx (IEC 60079-0, IEC 60079-1, IEC 60079-31)  
EAC EX (TR CU 012/2011)  
KCs (Employment and labor department 2016-54)  
*For further details on certifications and markings, consult the relevant table.*

## BRACKETS AND ADAPTORS

EXWBJ000 Bracket and ball joint RAL7032 for EXH series  
EXBJ000 Only ball joint for EXH RAL7032 housings

## ACCESSORIES

EXHS000 Sunshield 580mm (22.8in) for EXH series  
OCTEX3/4C Cable gland in nickel-plated brass with gasket EX 3/4" NPT, unarmoured cable IECEX-ATEX-EAC Ex  
OCTEXA3/4C Cable gland in nickel-plated brass with gasket EX 3/4" NPT, armoured cable IECEX-ATEX-EAC Ex  
OCTEXB3/4C Barrier cable gland in nickel-plated brass 3/4" NPT, unarmoured cable IECEX-ATEX-EAC Ex  
OCTEXB3/4P Barrier cable gland in nickel-plated brass EX 3/4" NPT, unarmoured cable IECEX-ATEX-EAC Ex  
OCTEXBA3/4P Barrier cable gland in nickel-plated brass EX 3/4" NPT, armoured cable IECEX-ATEX-EAC Ex  
OCTEXBA3/4C Barrier cable gland in nickel-plated brass 3/4" NPT, armoured cable IECEX-ATEX-EAC Ex  
OCTEX3/4 Cable gland in nickel-plated brass with gasket EX 3/4" NPT, unarmoured cable ATEX  
OCTEXA3/4 Cable gland in nickel-plated brass with gasket EX 3/4" NPT, armoured cable ATEX  
OCTEXB1/2C Barrier cable gland in nickel-plated brass EX 1/2" NPT, unarmoured cable IECEX-ATEX-EAC Ex  
OCTEXB1/2P Barrier cable gland in nickel-plated brass EX 1/2" NPT, unarmoured cable IECEX-ATEX-EAC Ex  
OCTEXBA1/2P Barrier cable gland in nickel-plated brass EX 1/2" NPT, armoured cable IECEX-ATEX-EAC Ex  
OCTEX1/2C Cable gland in nickel-plated brass EX 1/2" NPT, unarmoured cable IECEX-ATEX-EAC Ex  
OCTEXS1/2C Cable gland in nickel-plated brass EX 1/2" NPT, unarmoured cable IECEX-ATEX-EAC Ex  
OCTEXA1/2C Cable gland in nickel-plated brass EX 1/2" NPT armoured cable IECEX-ATEX-EAC Ex  
OCTEX1/2-3/4P Cable glands reduction in nickel-plated brass Ex 3/4" - 1/2" NPT IECEX-ATEX-EAC Ex  
OCTEXP3/4C Conduit cable gland nickel-plated brass 3/4" NPT IECEX-ATEX- c CSA us - EAC Ex (operating temperature: from -60°C (-76°F) up to +80°C (+176°F))  
OEXPLUG1/2P Plug EX 1/2" NPT IECEX-ATEX-EAC Ex  
OEXPLUG3/4P Plug EX 3/4" NPT IECEX-ATEX-EAC Ex  
*For further details about cable glands part numbers, please refer to the relevant table.*

## SPARE PARTS

OEXVETN Complete front flange with glass for EXHC and EXPTEC series  
OSLIEK Internal slide complete with heater for EXHC and EXPTEC series

## PACKAGE

Model Number	Weight	Dimensions (WxHxL)	Master carton
EXHC003R	17.5kg (39lb)	61x32x31cm (24x12.6x12.2in)	-

CABLE GLANDS AND ACCESSORIES 1/2" NPT						
Type	Certification	Operating temperature	Cable	Model Number	Diameter of the external cable	Under armor cable diameter
Barrier cable gland	IECEX/ATEX/EAC Ex	-60°C / +80°C (-76°F / +176°F)	Unarmoured cable	OCTEXB1/2C	3.0 - 8.0mm (0.12-0.31in)	–
		-60°C (-76°F) / +135°C (275°F)	Unarmoured cable	OCTEXB1/2P	12.5 - 14.0mm (0.5-0.55in)	–
			Armoured cable	OCTEXBA1/2P	15.5 - 21.1mm (0.61-0.83in)	–
Cable gland with gasket	IECEX/ATEX/EAC Ex	-60°C / +100°C (-76°F / +212°F)	Unarmoured cable	OCTEX1/2C	3.2 - 8.0mm (0.12-0.31in)	–
			Unarmoured cable	OCTEXS1/2C	6.5 - 11.9mm (0.26 - 0.47in)	–
			Armoured cable	OCTEXA1/2C	12.5 - 20.5mm (0.49 - 0.8in)	10 - 14.3mm (0.4 - 0.56in)
Plug EX 1/2"NPT	IECEX/ATEX/EAC Ex	-100°C (-148°F) / +400°C (752°F)	–	OEXPLUG1/2P	–	–

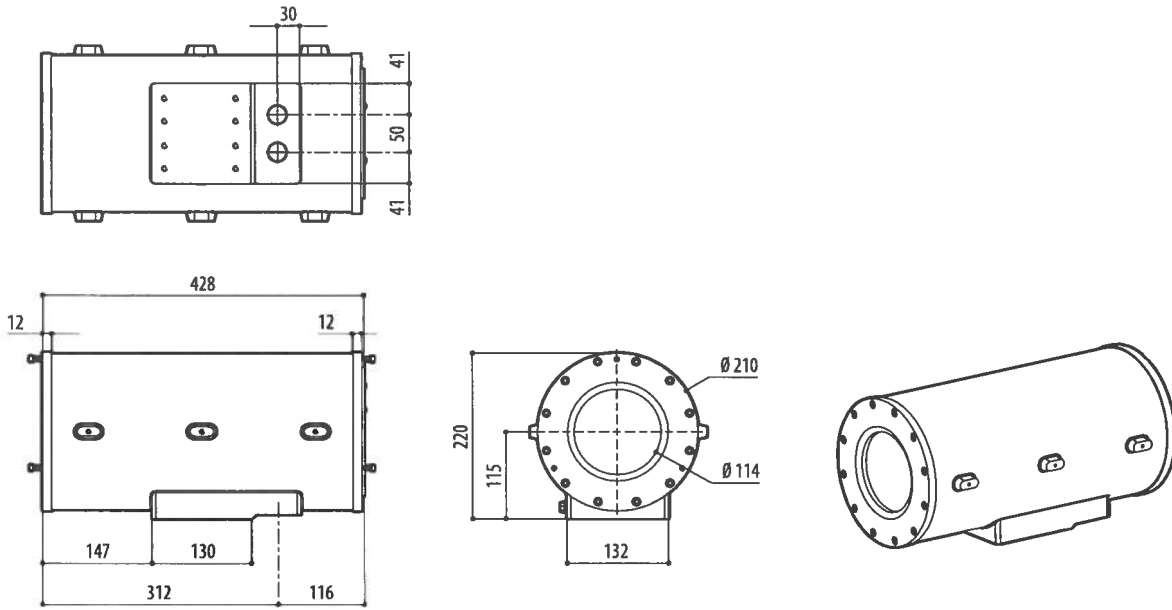
CABLE GLANDS AND ACCESSORIES 3/4" NPT						
Type	Certification	Operating temperature	Cable	Model Number	Diameter of the external cable	Under armor cable diameter
Barrier cable gland	IECEX/ATEX/EAC Ex	-60°C / +80°C (-76°F / +176°F)	Unarmoured cable	OCTEXB3/4C	13.0 - 20.2mm (0.51-0.79in)	–
			Armoured cable	OCTEXBA3/4C	16.9 - 26.0mm (0.66-1.02in)	–
		-60°C (-76°F) / +135°C (275°F)	Unarmoured cable	OCTEXB3/4P	17.8 - 20.0mm (0.70-0.79in)	–
			Armoured cable	OCTEXBA3/4P	16.8 - 23.9mm (0.66-0.94in)	–
Cable gland with gasket	IECEX/ATEX/EAC Ex	-60°C / +100°C (-76°F / +212°F)	Unarmoured cable	OCTEX3/4C	13.0 - 20.2mm (0.51-0.79in)	–
		-60°C / +80°C (-76°F / +176°F)	Armoured cable	OCTEXA3/4C	16.9 - 26.0mm (0.66-1.02in)	11.1 - 19.7mm (0.44 - 0.78in)
	ATEX	-40°C / +100°C (-40°F / +212°F)	Unarmoured cable	OCTEX3/4	14.0 - 17.0mm (0.55-0.67in)	–
			Armoured cable	OCTEXA3/4	18.0 - 23.0mm (0.71-0.91in)	14 - 17mm (0.55 - 0.67in)
Plug EX 3/4"NPT	IECEX/ATEX/EAC Ex	-100°C (-148°F) / +400°C (752°F)	–	OEXPLUG3/4P	–	–
Conduit sealing fitting	IECEX-ATEX- c CSA us - EAC Ex	-60°C / +80°C (-76°F / +176°F)	–	OCTEXP3/4C	–	–
Reduction 3/4" NPT x 1/2" NPT	IECEX/ATEX/EAC Ex	-100°C (-148°F) / +400°C (752°F)	–	OCTEX1/2-3/4P	–	–

EXH - CERTIFICATIONS AND MARKINGS	
Certification	Marking
ATEX	Ⓜ II 2G Ex d IIC T6 Gb Ⓜ II 2D Ex t IIIC T85°C Db IP66, -40°C/+50°C
IECEX	Ex d IIC T6 Gb Ex t IIIC T85°C Db IP66, -40°C/+50°C
EAC EX	Ex II 2G Ex d IIC T6 Gb Ex II 2D Ex t IIIC T85°C Db IP66, -40°C/+50°C
KCs	Ex d IIC T6 Gb Ex t IIIC T85°C Db, -40°C/+50°C

AVAILABLE MODELS					
Model Number	Housing heater 24Vac	Housing heater 230Vac	Reinforced heater	Glass protection device	Ambient temperature
EXHC003R	√	–	√	–	-40°C / +50°C (-40°F/+122°F)
EXHC203R	–	√	√	–	-40°C / +50°C (-40°F/+122°F)

# TECHNICAL DRAWINGS

The indicated measurements are expressed in millimetres.



EXHC