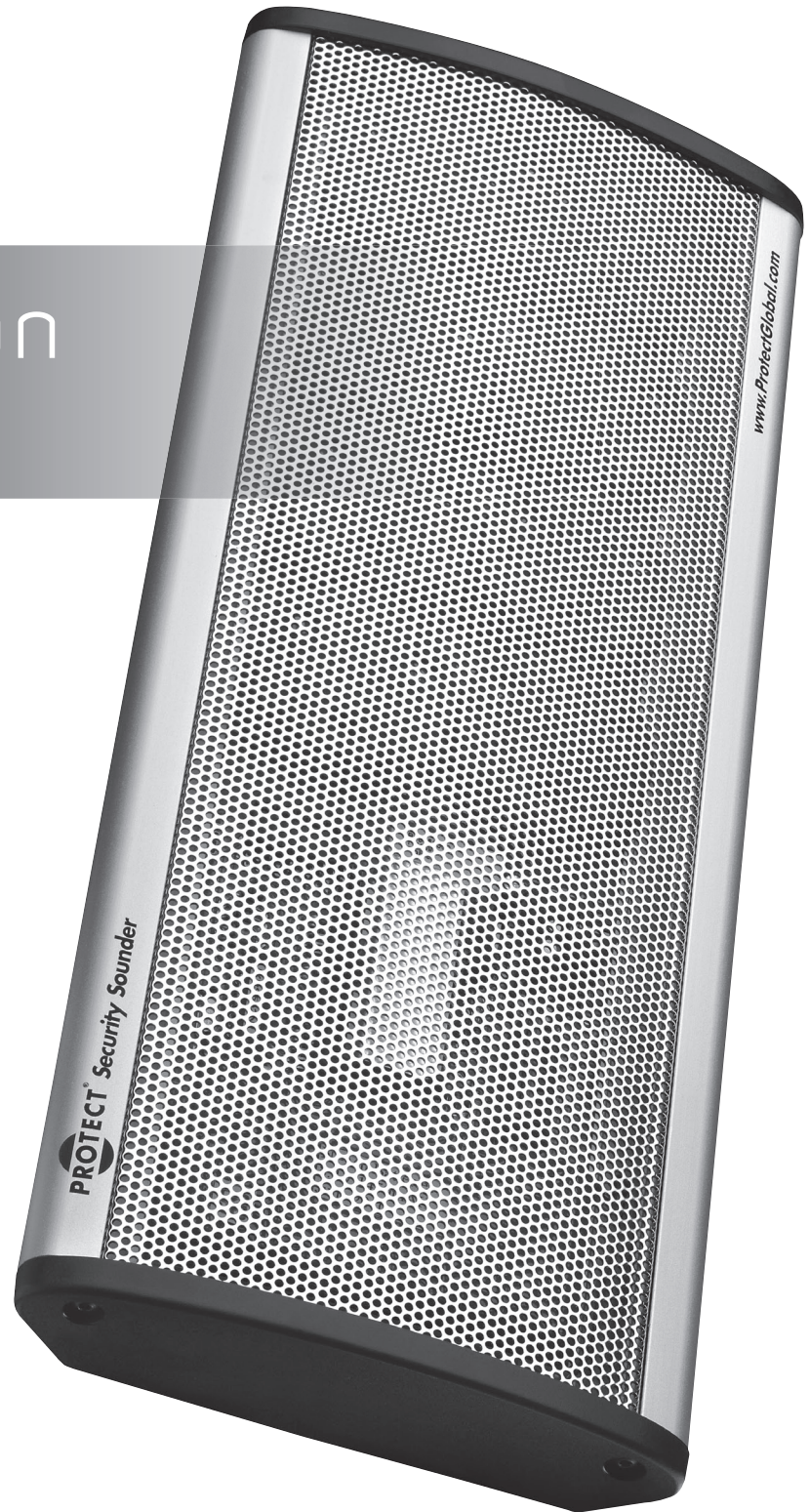


# Security Sounder™

## Installation Manual

Version 1.2

**GB** Installation Manual



PROTECT Security Sounder™ is an ideal teammate of the PROTECT Fog Cannon™.

It produces an intolerable, but harmless, noise which instantly disrupts the intruders and makes it impossible to communicate with outside accomplices.

#### Technical info:

Maximum sound output:	120 dB
Power connection:	12 V, 1 A
Rechargeable:	Yes, integrated, rechargeable battery
Function time:	Working time can be set between 30 sec. and 8 min. (5 settings)
Trigger delay:	1, 3 and 6 seconds (3 settings)
Dimensions (cm):	L: 40,5 x D: 4,2 x W: 15,9
Weight:	2 kg
CE marked:	Yes
Mounting:	Wall/Ceiling

We reserve the rights to modify due to misprint or changes in the technical data.

#### Note

Remember to connect the battery to the socket on the PCB before operation.

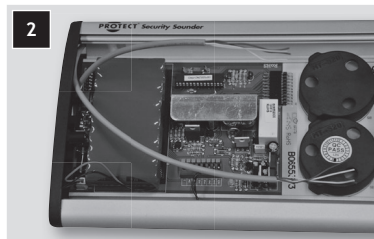
In order to give the battery a longer lifetime, remember to unplug the battery when the sounder is not used for long time.

Check the battery at the yearly service inspection of the alarm system.

#### Cabling of PROTECT Security Sounder™

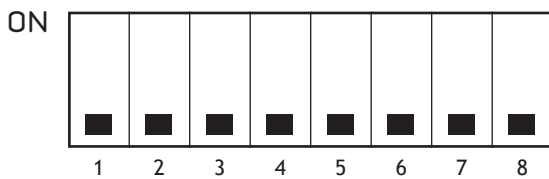
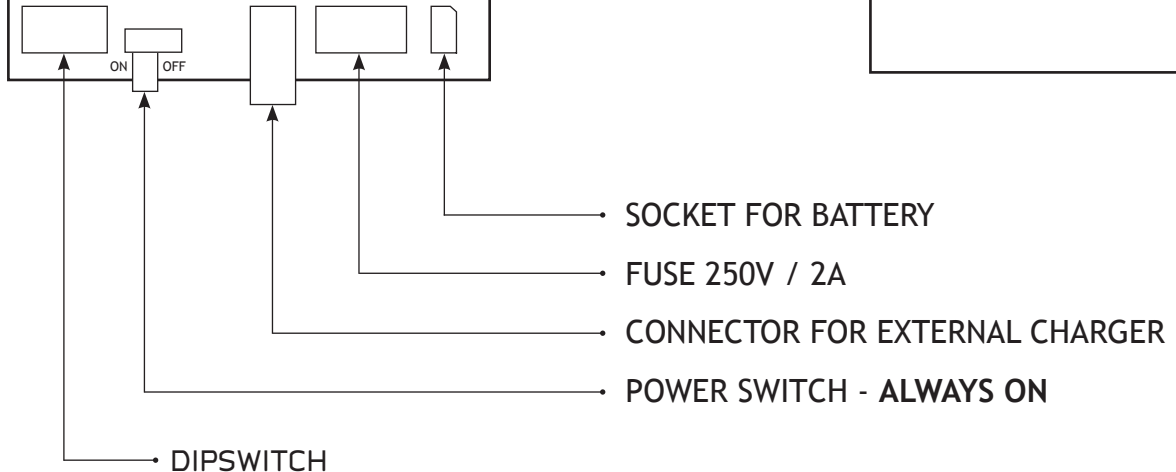
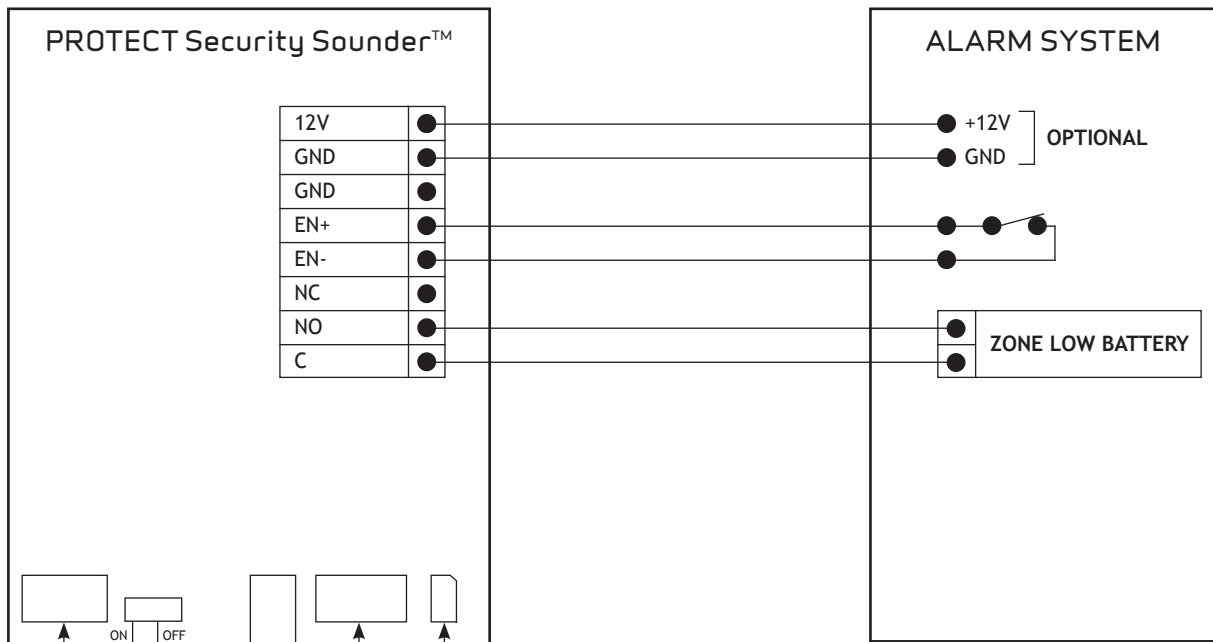


Cable access through the plastic end-caps is possible. Simply cut the prepared blankets using a sharp plier.



Cables shown entering the Sounder through these cable access holes.





								0	Sounder volumen - normal mode
								1	Sounder Volumen - very low - only for test
								0	Sounder on - normal mode
								1	Sounder off - to avoid wrong operation DURING INSTALLATION
				0	0				Sounder trigger delay - 1 second
				1	0				Sounder trigger delay - 3 second
				0	1				Sounder trigger delay - 6 second
0	0	0	0						Sounder duration - 30 second
1	0	0	0						Sounder duration - 1 minute
0	1	0	0						Sounder duration - 2 minutes
0	0	1	0						Sounder duration - 4 minutes
0	0	0	1						Sounder duration - 8 minutes



**GB** PROTECT A/S is the world's largest supplier and the only producer of Fog Cannons in Scandinavia. PROTECT™ is represented worldwide in 40 countries.