

BRACKETS AND ADAPTERS FOR CAMERA HOUSINGS

WBJA WALL MOUNT

Made of aluminium
Fully adjustable swivel head
Load rating: 25kg (55lb)
Height: 185mm (7.3in)
Unit weight: 0.6kg (1.3lb)



WBJA

WBMA WALL MOUNT

Made of aluminium
Fully adjustable swivel head
Load rating: 25kg (55lb)
Length: 204mm (8in)
Unit weight: 0.5kg (1.1lb)



WBMA

WBOVA2 WALL MOUNT

Made of aluminium
Fully adjustable swivel head
Internal cable management
Load rating: 25kg (55lb)
Length: 204mm (8in)
The sealing rings OWBIP2 or OWBIP3 ensure an IP66 protection to the housing
Unit weight: 0.6kg (1.3lb)



WBOVA2

WBOV3A2 WALL BRACKET WITH SUPPORT PLATE AND WEATHERPROOF JUNCTION BOX

Made of aluminium
Internal cable management directly to the box
Load rating: 25kg (55lb)
Length: 204mm (8in)
The sealing rings OWBIP2 or OWBIP3 ensure an IP66 protection to the housing
Unit weight: 2.4kg (5.3lb)



WBOV3A2

WBLA WALL BRACKET FOR HGV

Solid anticorrosive aluminium construction
Load rating: 70kg (154lb)
Length: 457.5mm (18.7in)
Unit weight: 6.6kg (14.5lb)



WBLA

WCM3A CEILING MOUNT

Made of aluminium
Fully adjustable swivel head
Load rating: 15kg (33.5lb)
Length: 300mm (11.8in)
Unit weight: 1.8kg (4lb)



WCM3A

WFWCA PARAPET BRACKET

Made of aluminium
Fully adjustable swivel head
Load rating: 15kg (33.5lb)
Length: 185mm (7.3in)
Available extension through WFWBTA
Unit weight: 0.5kg (1.1lb)



WFWCA

WCM4A2 CEILING MOUNT

Made of aluminium tube

Internal cable management

Load rating: 15kg (33.5lb)

Length: 412mm (16.2in)

Unit weight: 1.3kg (2.8lb)

WCM5A CEILING MOUNT

Made of aluminium

Load rating: 15kg (33.5lb)

Length: 412mm (16.2in)

500mm (19in) linear extension available with WCPA

Unit weight: 1.4kg (3lb)

WCPA LINEAR EXTENSION FOR WCM4A2 AND WCM5A

It allows a 500mm (19in) extension

Unit weight: 0.5kg (1.1lb)

WCWA CORNER MOUNT ADAPTER

Made of steel

Load rating: 30kg (66lb)

WSFPA POLE MOUNT ADAPTOR

Made of aluminium

It allows the internal cable management

Load rating: 30kg (66lb)

For pole diameters: 65÷110mm (2.6÷4.3in)

Unit weight: 0.9kg

DBHWGC POLE MOUNT ADAPTOR

Made of steel

For pole diameters: 210÷225mm (8.3÷8.6in)

Load rating: 25kg (55lb)

WCPA REINFORCING SUPPORT PLATE FOR POOR CONSISTENCY WALLS

Made of aluminium

Available with a supporting box with internal cable channel

Load rating: 50kg (110lb)

Unit weight: 0.6kg (1.3lb)



WCM4A2

WCM5A



WCPA



WCWA



WSFPA



DBHWGC



WCPA

**HOUSINGS/BRACKETS COMPATIBILITY**

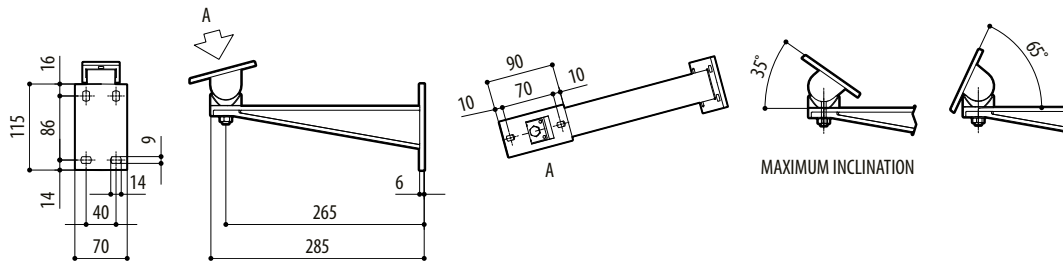
Bracket	Wall					Ceiling			Column
	WBLA	WBJA	WBMA	WBOVA2	WBOV3A2	WCM3A	WCM4A2	WCM5A	WFWCA
Length	457mm (18in)	285mm (11in)	226mm (9in)	201mm (8in)	238mm (9.4in)	300mm (11.8in)	412mm (16.2in)	412mm (16.2in)	185mm (7.3in)
HOV	-	✓	-	✓	✓	✓	✓	✓	✓
HTV	-	✓	-	✓	✓	✓	✓	✓	✓
PUNTO	-	✓	-	✓	✓	✓	✓	✓	✓
VERSO COMPACT	-	✓	✓	✓	✓	✓	✓	✓	✓
VERSO	-	✓	-	✓	✓	✓	✓	✓	✓
HEK	-	-	✓	✓	✓	✓	✓	✓	✓
HEB	-	✓	✓	✓	✓	✓	✓	✓	✓
HEG	-	✓	-	-	-	-	-	✓	✓
HTG	-	✓	-	-	-	-	-	✓	✓
HGV	✓	-	-	-	-	-	-	-	-

PACKAGE			
Model Number	Weight	Dimensions (WxHxL)	Master carton
WBJA	0.7kg (1.5lb)	7.5x12x31cm (3x5x12in)	20
WBMA	0.6kg (1.3lb)	7.5x12x23cm (3x4.7x9in)	25
WBOVA2	0.7kg (1.5lb)	8.5x13x22cm (3.3x5x9in)	25
WBOV3A2	2.5kg (5.5lb)	11x19x53cm (4.3x7.5x21in)	-
WBLA	7kg (15.4lb)	27x18x49cm (10.5x7x19in)	-
WCM3A	2.1kg (4.6lb)	13x32.5x27cm (5x13x11in)	12
WFWCA	1kg (2.2lb)	14.5x15x27cm (6x6x11in)	15

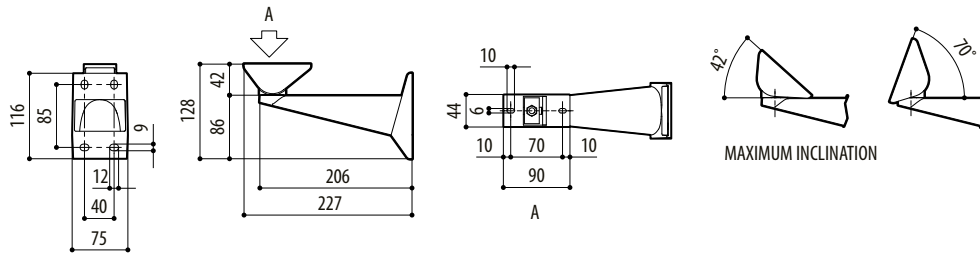
PACKAGE			
Model Number	Weight	Dimensions (WxHxL)	Master carton
WCM4A2	1.7kg (3.7lb)	10.5x37x37cm (4x14x14in)	6
WCM5A	1.7kg (3.7lb)	10.5x37x37cm (4x14x14in)	6
WCM6A	0.6kg (1.3lb)	6x6x58.5cm (2x2x23in)	-
WSFPA	1kg (2.2lb)	10x16x23cm (4x6x9in)	15
DBHWGC	1.5kg (3.3lb)	24x15x22cm (9x6x9in)	10
WCWA	1.1kg (2.2lb)	14.5x15x27cm (6x6x11in)	15
WCPA	0.7kg (1.5lb)	10x16x23cm (4x6x9in)	30

TECHNICAL DRAWINGS

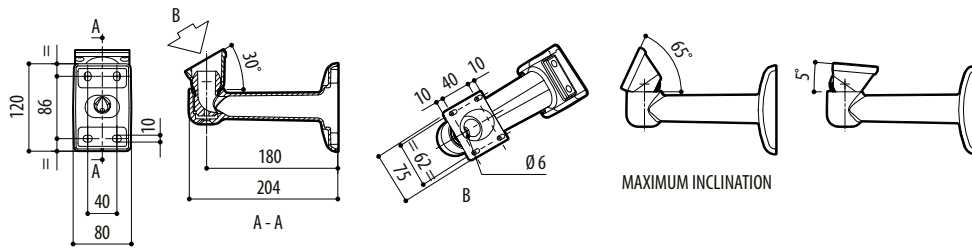
Sizes in millimeters.



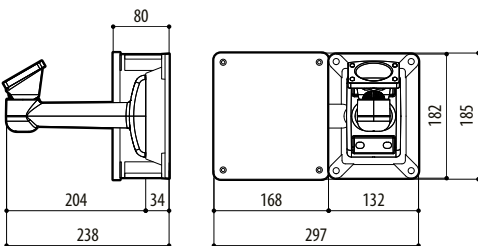
WBJA



WBMA

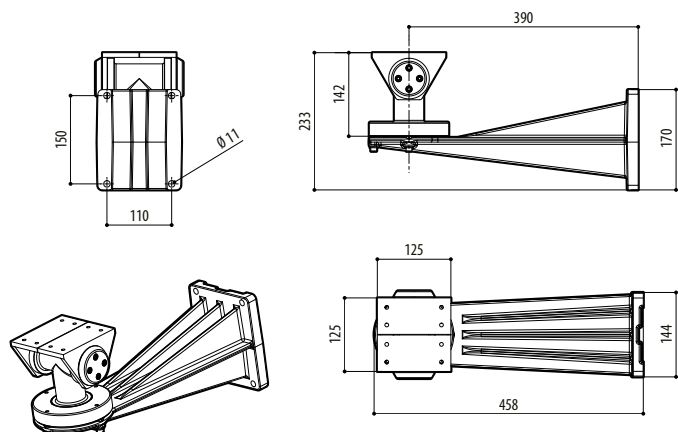


WBOVA2

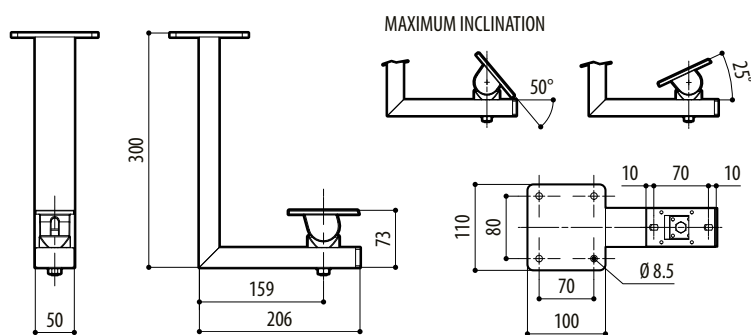


WBOV3A2

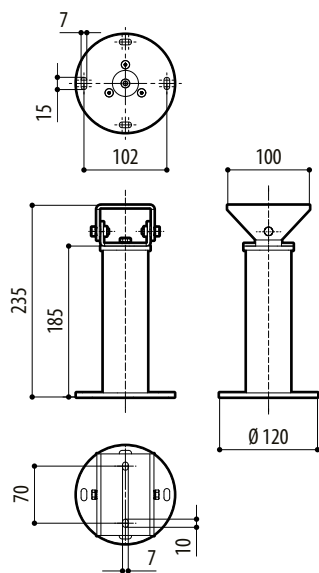
Sizes in millimeters.



WBLA

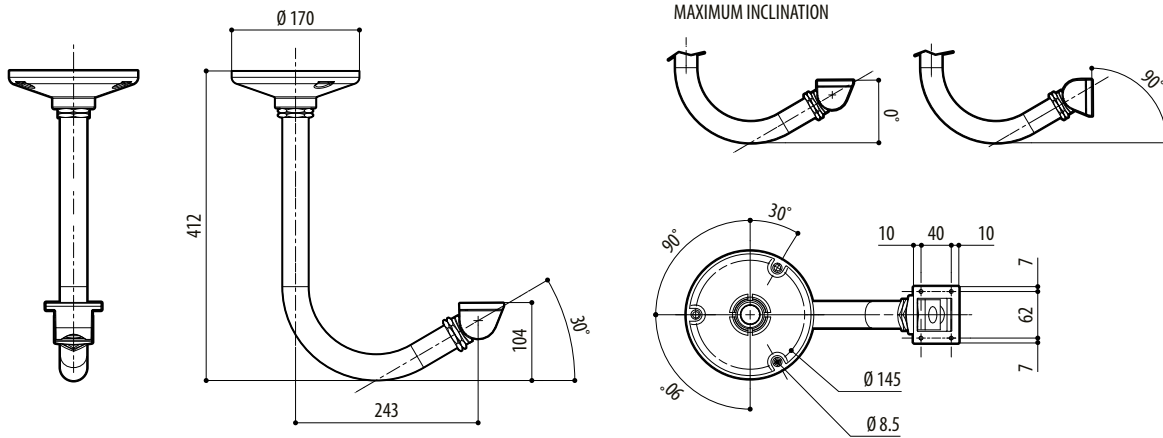


WCM3A

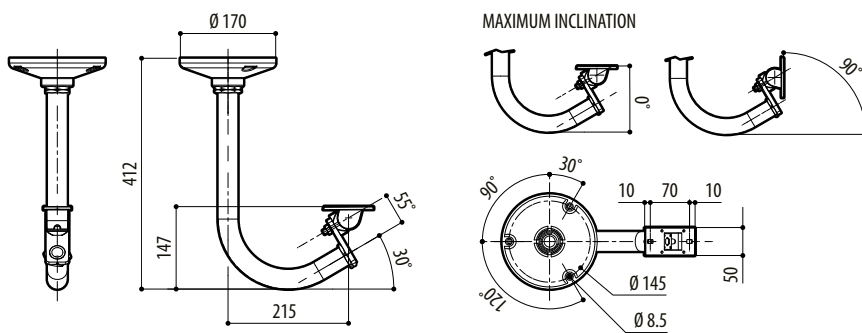


WFWCA

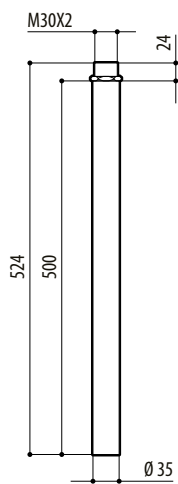
Sizes in millimeters.



WCM4A2

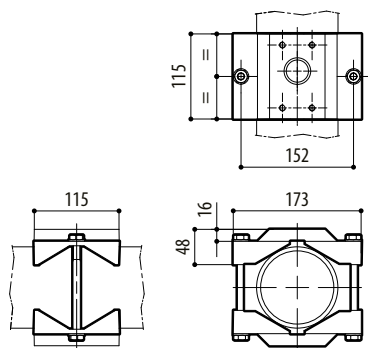


WCM5A

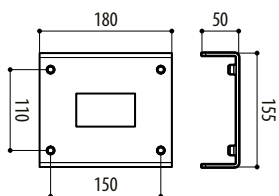


WCMPA

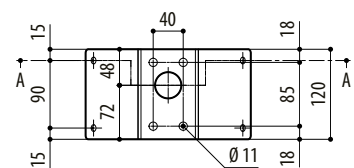
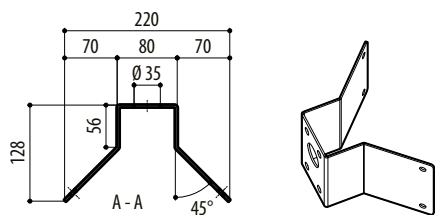
Sizes in millimeters.



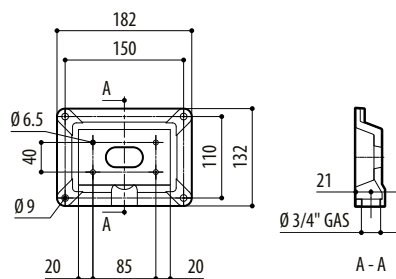
WSFPA



DBHWGC



WCWA



WCPA