

**DCJ****VIDEO AND TELEMETRY CONTROL KEYBOARD****MAIN FEATURES**

Three axis proportional joystick

Control of all Videotec matrix

Communications:

- RS485 serial communication with video matrix and multiplexer
- 2 RS485 independent telemetry lines
- RS232 serial communication connection with PC for firmware update

Direct control or through Videotec matrix series SM of third parties products

Up to 9999 video channels, 999 telemetry receivers on each telemetry line and 99 monitors

More than 40 protocols supported

**DESCRIPTION**

This microprocessor controlled keyboard allows the control of SM82A, SM164B and SM328B matrix.

The operator can set up the SM82A, SM164B and SM328B matrix and can control their functions.

A LCD display assists the operator during all the control functions.

Furthermore, the DCJ allows you to control up to 999 telemetry receivers, the preset and patrol functions together with the DTRX3 or DTRXDC receivers. The three axis joystick allows a simple manual control and gives the ability to drive variable speed Pan & Tilt, and further to the most common high speed domes and can be used also for the menu set-up.

Three serial RS485 communication lines are available: one for a video matrix and multiplexer and two used for the management of independent telemetry lines.

A RS232 serial connection allows the firmware update from a PC.



**TECHNICAL DATA**

**GENERAL**

Joystick for Pan/Tilt/Zoom and menu control  
 Display back-lit  
 Ergonomic keys configuration  
 Menu in 4 languages (Italian, English, French, German)  
 Three password levels: Connection, set-up, alarm reset  
 Macro-functions keys (max. 10): Monitor selection, camera selection, selection of receiver associated to the camera, previously stored P&T scan position  
 9999 cameras, 999 telemetry receivers, 99 monitors  
 Alarm and/or breaks communication buzzer  
 Various accessory functions like keys enabling/disabling, energy saving, error alert, etc.  
 Equipped with wide range power supply, 3 power cables, 6 RJ11 telephone cables, 6 RJ11 jack junction boxes

**MECHANICAL**

Thermo-resistant and shock proof ABS material  
 Dimensions: 298x107x210mm (11.7x4.2x8.2in)  
 3 axis proportional joystick, with calibration and test features  
 Display 4 lines of 20 characters  
 3 connectors RJ11  
 Power supply jack connector  
 DB9 connector for firmware update  
 Configuration dip-switch  
 Unit weight: 1.1kg (2.2lb)

**ELECTRICAL**

Power supply  
 • IN 100-240Vac - OUT 12Vdc, 47/63Hz, 1A

**PROTOCOLS**

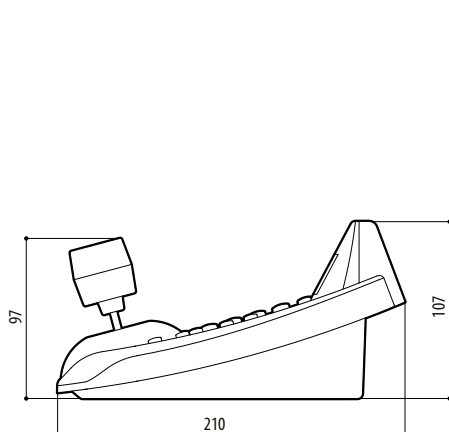
Video Line  
 • VIDEOTECH (1200, 9600, 19200, 38400 baud)  
 • VIDEOTECH MACRO (1200, 9600, 19200, 38400 baud)

Telemetry Line  
 • PELCO D (2400, 4800, 9600, 19200 baud)  
 • VIDEOTECH (1200, 9600 baud)  
 • VIDEOTECH MACRO (1200, 9600, 19200, 38400 baud)

**COMMUNICATIONS**

3 RS485 lines for communication  
 1 direct line with matrix and multiplexer to a max. 1200m (3937ft)  
 2 lines for 2 independent telemetry daisy chains, up 999 telemetry receivers to a max. 1200m (3937ft)  
 Serial connection RS232 to PC for firmware update, controllable to a maximum distance 15m (49ft)

*Sizes in millimeters.*



**I/O INTERFACE**

**Multiplexer**

ADEMCO, HITRON, SANYO, SONY

**Dvr**

EL.MO., EVERFOCUS, SONY

**Dome**

AMERICAN DYNAMICS, BOSCH, ELBEX, ELMO, ERNITEC, HITRON, JVC, KALATEL, PANASONIC, PELCO, SAMSUNG, SANTEC, STAR, VCL

**Telemetry**

**ENEQ**

ADEMCO, AMERICAN DYNAMICS, BOSCH, ELBEX, ELMO, ENEQ, ERNITEC, EVERFOCUS, HITRON, JAVELIN, JVC, KALATEL, PANASONIC, PELCO, SAMSUNG, SANTEC, SANYO, SONY, STAR, VCL are registered trademarks

*The product may be interfaced with devices not manufactured by VIDEOTECH. It is possible that the interface protocols have changed or are in a different configuration from earlier tested units by VIDEOTECH. VIDEOTECH recommends a test prior to installation. VIDEOTECH will not be liable for any installation costs or lost revenues in the event a compatibility problem will occur.*

**ENVIRONMENT**

Indoor

Operating temperature: 0°C / +40°C (+32°F / +104°F)

**CERTIFICATIONS**

CE:EN61000-6-3, EN60950-1, EN55022 Class B, EN50130-4

FCC Part 15, Class B

**RELATED PRODUCTS**

SM82A	Video matrix 8 inputs and 2 outputs
SM164B	Video matrix 16 inputs and 4 outputs
SM328B	Matrix 32 inputs and 8 outputs
DTMRX224	DTMRX224 Telemetry receiver 12 functions, 24Vac
DTMRX2	DTMRX Telemetry receiver 12 functions, 230Vac
DTRX324	DTRX324 Telemetry receiver 17 functions for PTH311 + preset
DTRX3	DTRX3 Telemetry receiver 17 functions for series PTH300 + preset
DTCOAX	Over the coax board (only thru SM series matrix)
DTRXDC	Telemetry data receiver, 13 functions
ULISSE	Integrated positioning unit

**PACKAGE**

Model Number	Weight	Dimensions (WxHxL)	Master carton
DCJ	3.1kg (6.6lb)	42.5x17.5x26cm (17x7x10in)	4

