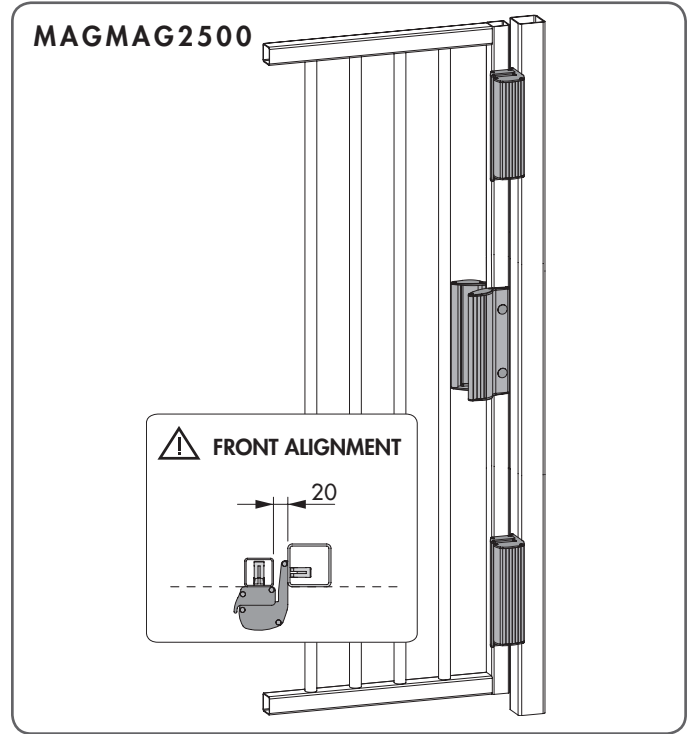
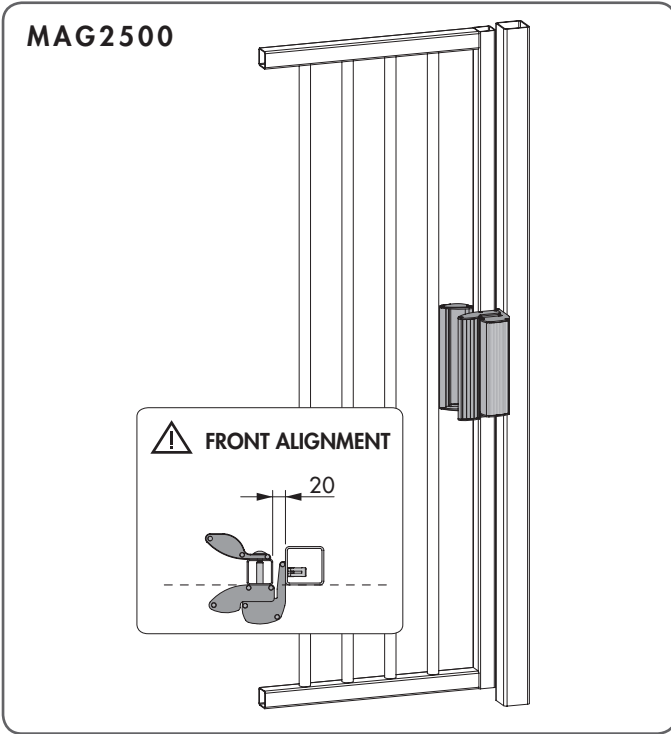


# LOCINOX<sup>®</sup>

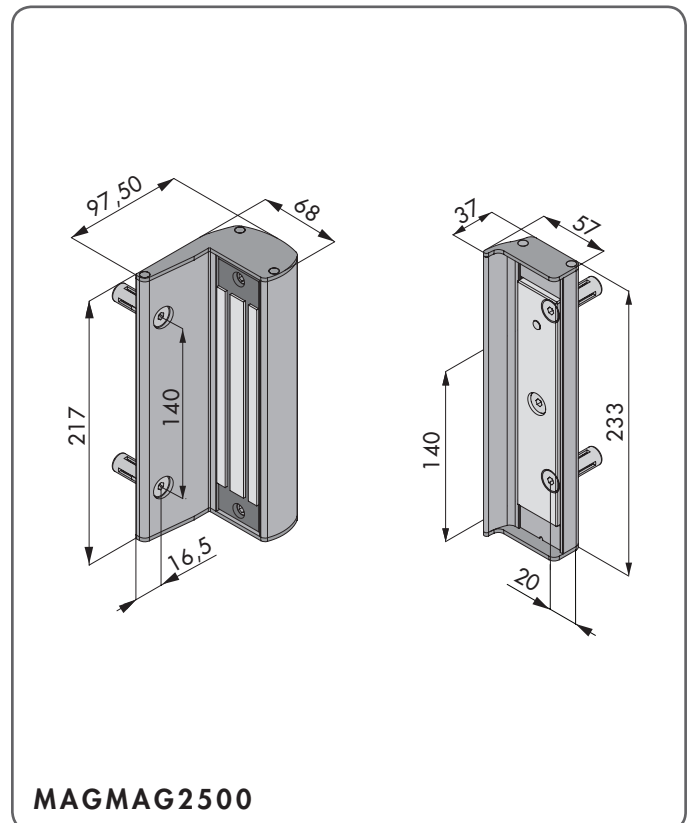
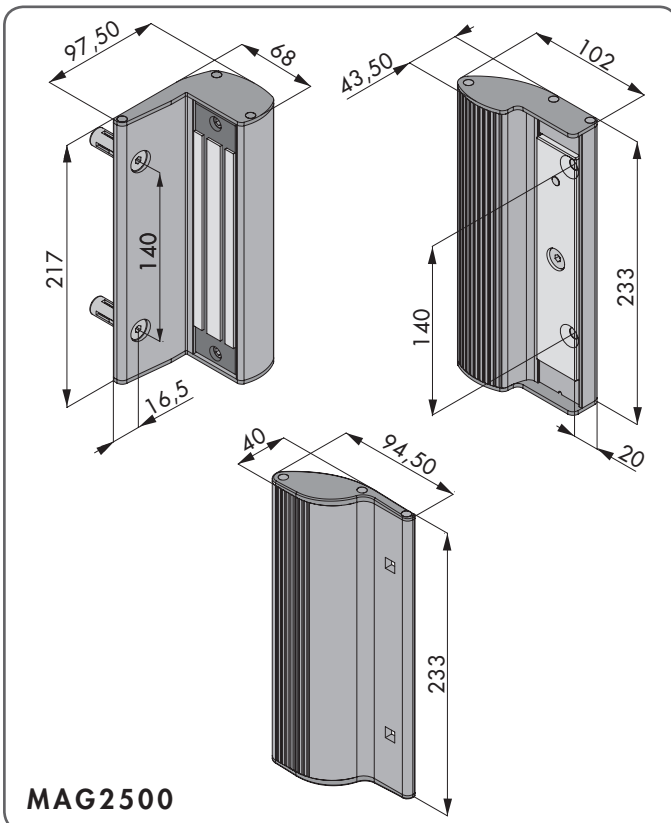
WWW.LOCINOX.COM

**CODE: MAG2500 / MAGMAG2500**

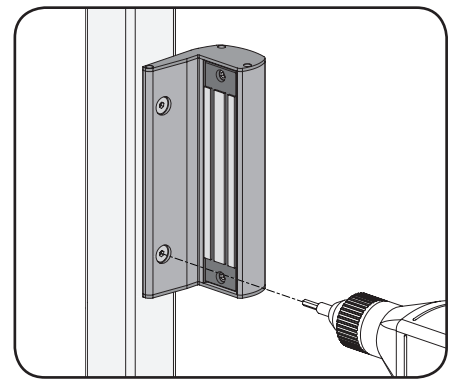
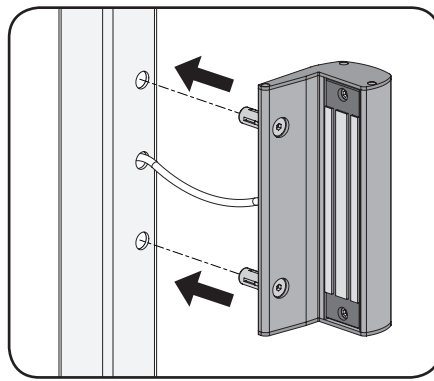
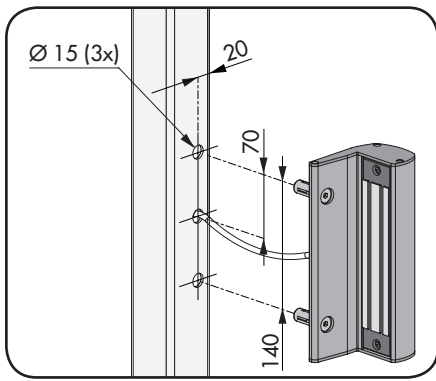
## ① OVERVIEW



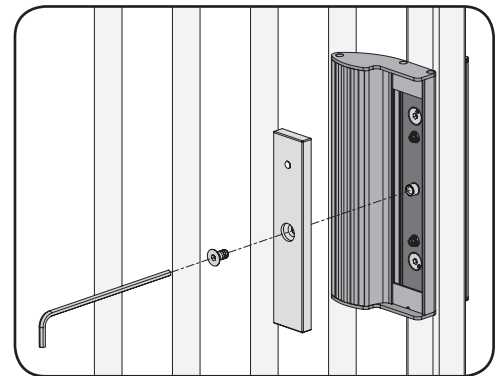
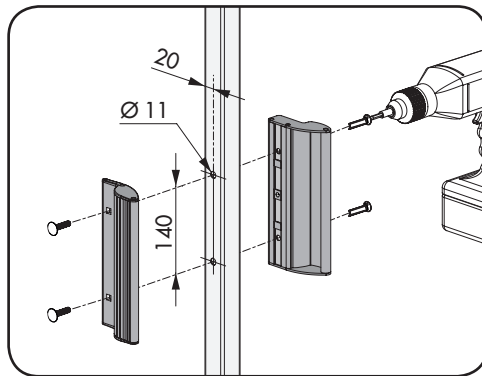
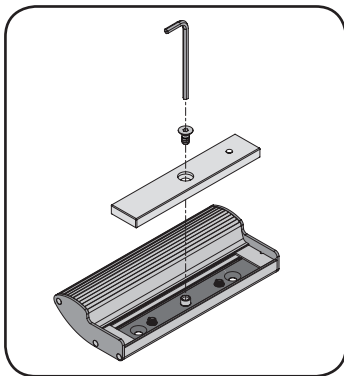
## ② PACKAGE CONTENT & DIMENSIONS



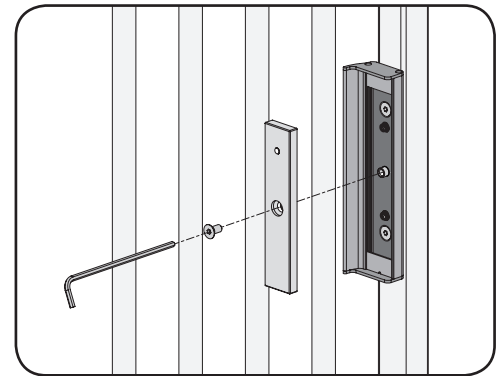
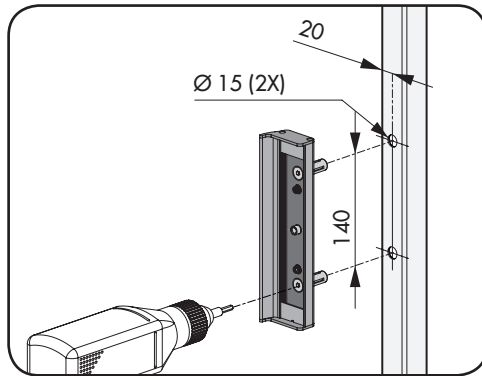
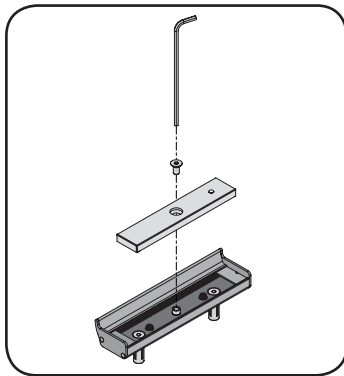
### ③ MAGNET POST PREPARATION AND MOUNTING



### ④a MAG2500 GATE PREPARATION AND MOUNTING



### ④b MAGMAG2500 GATE PREPARATION AND MOUNTING



### ⑤ 12 AND 24V DC - SITUATION

Voltage	12 V DC	Holding Force	250 Kg
Current	0,47 A		2500 N
Power	4,8 W		550 lbs

Voltage	24 V DC	Holding Force	250 Kg
Current	0,23 A		2500 N
Power	4,8 W		550 lbs

**LOCINOX**<sup>®</sup>  
WWW.LOCINOX.COM

Doc. Nr.: **MANU-000203**



Locinox nv • Mannebeekstraat 21 • B-8790 Waregem • Belgium - Europe  
Tel. +32 (0)56 77 27 66 • Fax. +32 (0)56 77 69 26 • E-mail: locinox@locinox.com

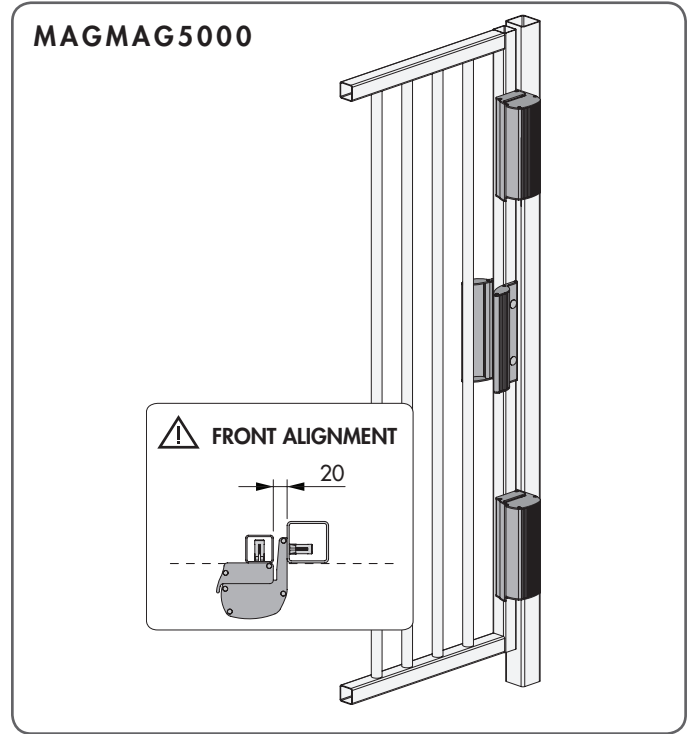
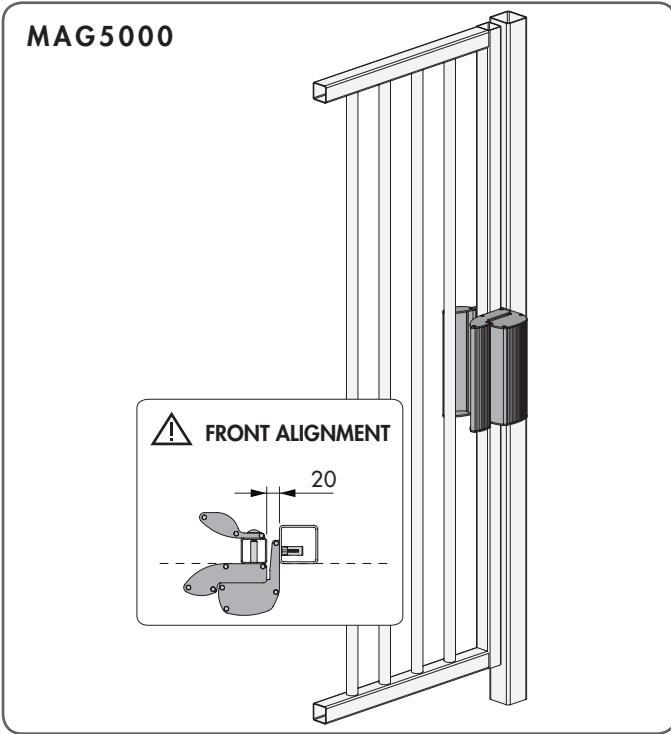
\* M A N U - 0 0 0 2 0 3 \*

# LOCINOX®

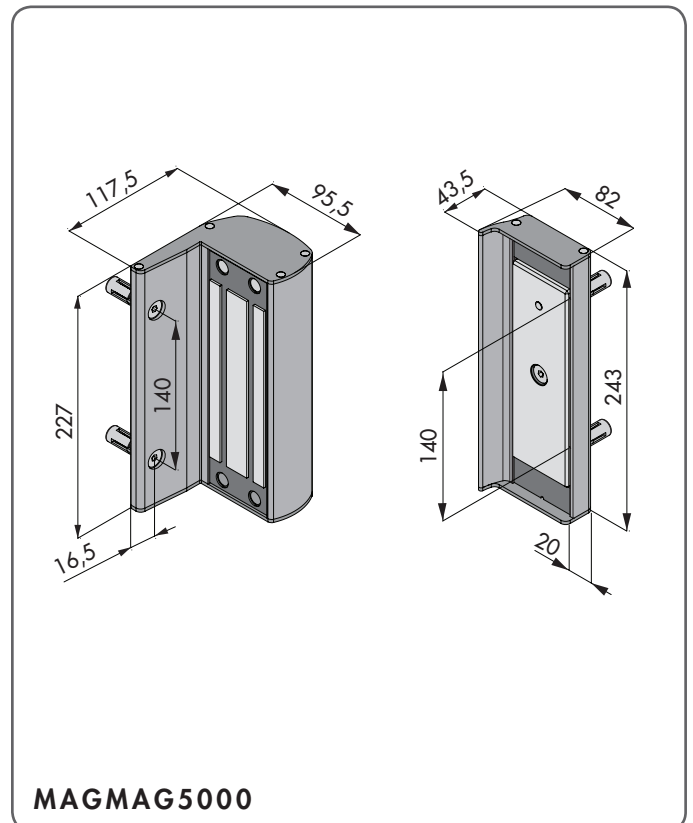
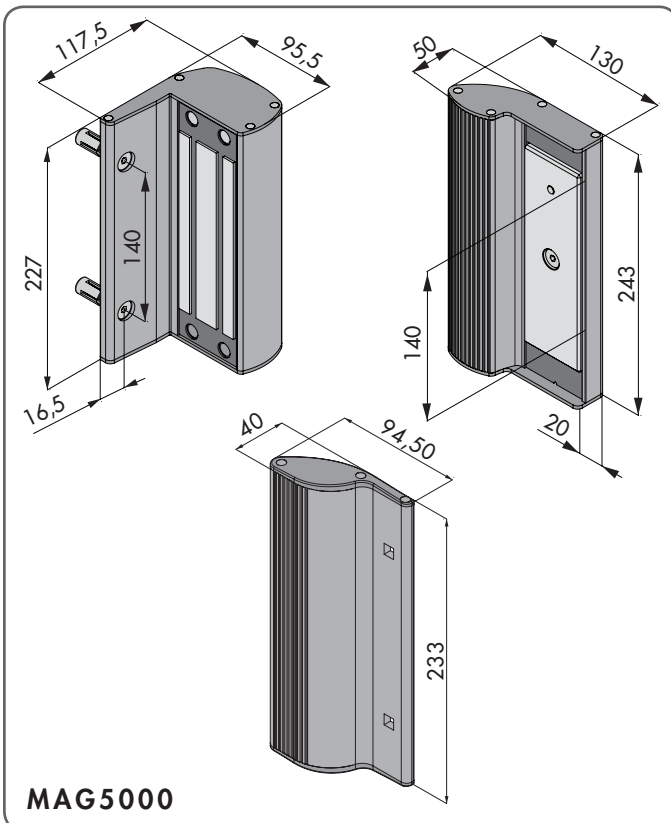
WWW.LOCINOX.COM

**CODE: MAG5000 / MAGMAG5000**

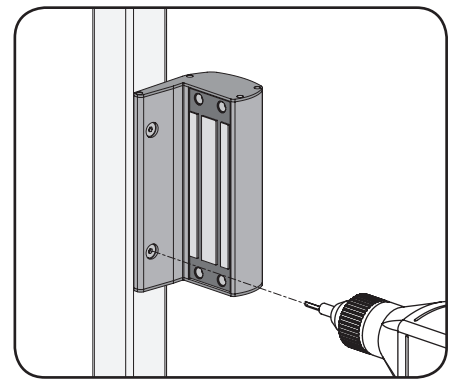
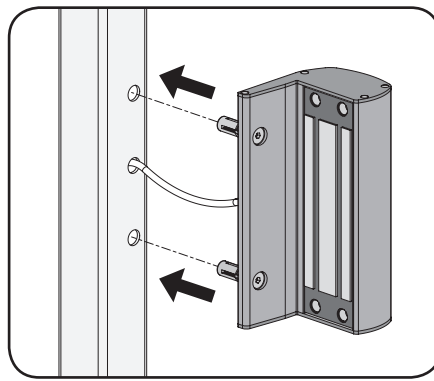
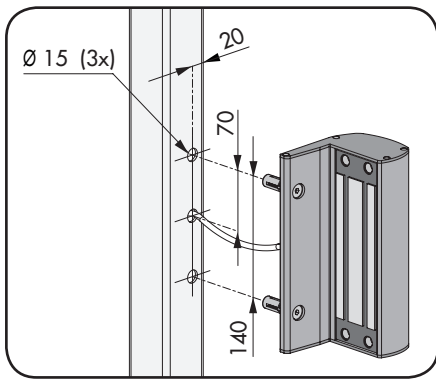
## ① OVERVIEW



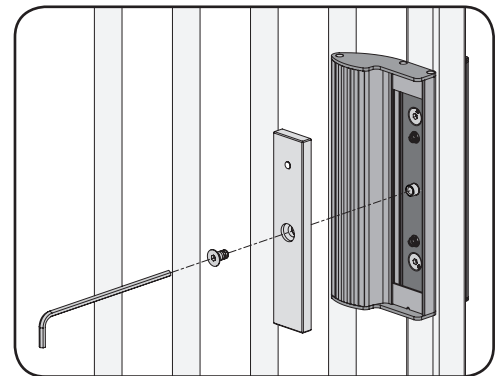
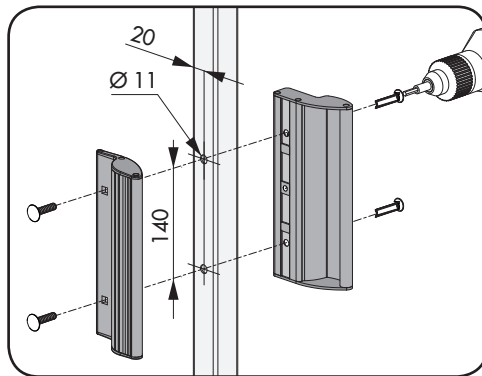
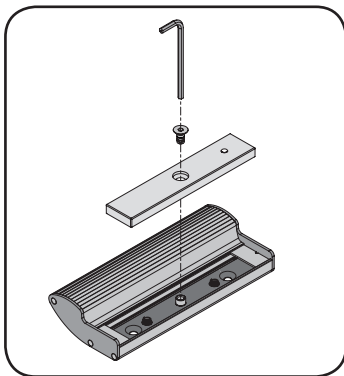
## ② PACKAGE CONTENT & DIMENSIONS



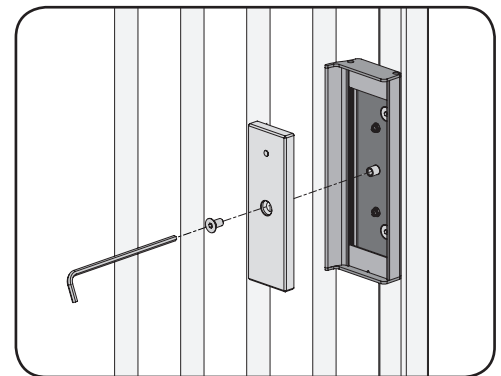
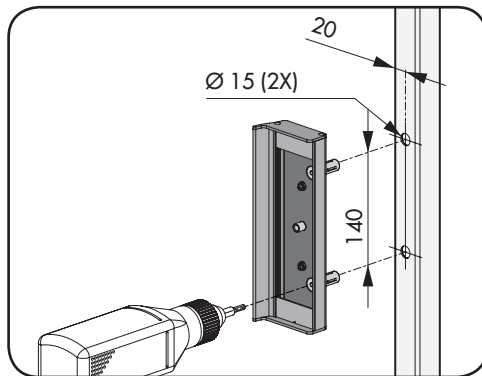
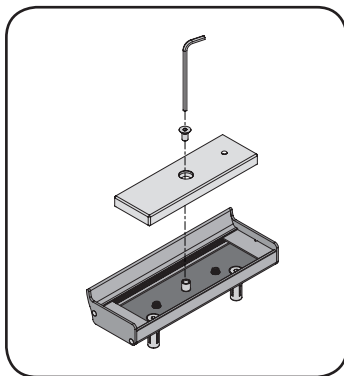
### ③ MAGNET POST PREPARATION AND MOUNTING



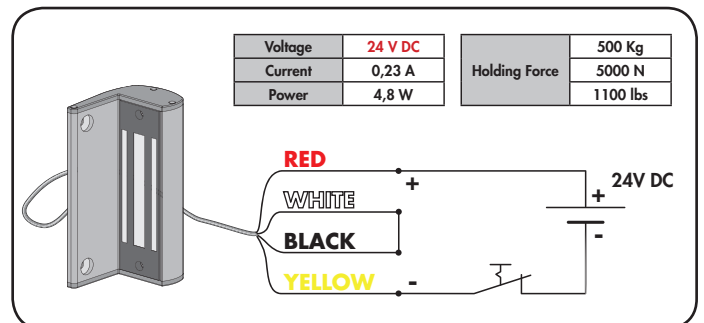
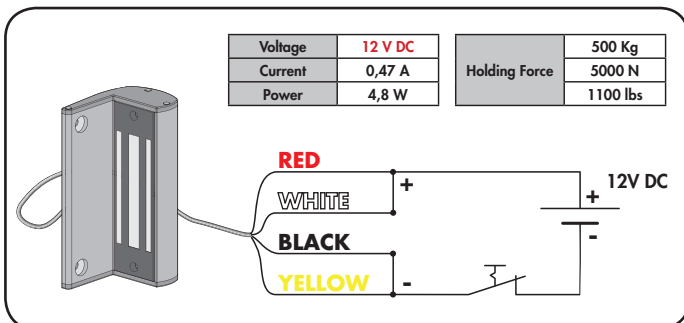
### ④a MAG5000 GATE PREPARATION AND MOUNTING



### ④b MAGMAG5000 GATE PREPARATION AND MOUNTING



### ⑦ 12 AND 24V DC - SITUATION



**LOCINOX**<sup>®</sup>  
WWW.LOCINOX.COM

Doc. Nr.: MANU-000202



Locinox nv • Mannebeekstraat 21 • B-8790 Waregem • Belgium - Europe  
Tel. +32 (0)56 77 27 66 • Fax. +32 (0)56 77 69 26 • E-mail: locinox@locinox.com