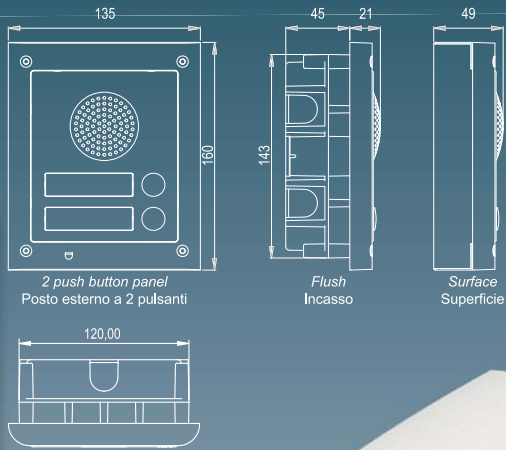


4K-1S



4K SERIES AUDIOKIT

The 4000 Series audio door entry kits benefit from advanced features such as electronic call tone generation and lock release relay included within the door panel. This reduces the cable requirements between the handset(s) and the door panel to only 4 ("3+1") connections. For this reason larger cable distances using small cores sizes can be achieved between door panel and telephones.

4K-1

One button door entry kit comprised of:

1 Outdoor station including a one call button speaker unit Art.4836-1 and a flush mounting box with module support and hinge Art.4851.

Standard finishes: mirror stainless steel for the front plate and gun metal grey for the module support.

1 Art.3011 3000 Series Smart Line wall mount telephone with "door open" push button and electronic call tone with 3 level adjustable volume control.

1 Art.321 Power Supply in a type A 3 module DIN box.
Packing: cardboard 30.5x29x7cm total weight 2 Kg.

4K-2

As 4K-1 but two button version with 2 intercoms and 2 call push button speaker unit Art.4836-2.

Packing: cardboard 41x29x7cm total weight 2.3 Kg.

4K-1S, 4K-2S

As door entry kits above but with surface mounting box Art.4881.

Packing: the same as the flush versions but with a total weight of 2.3 Kg for one button version and 2.6 Kg for two button version.

The module support frame and the module front plate are available in other finishes, **see pictures 4 and 5 on page 33** for available versions and additional suffix to use for orders.

